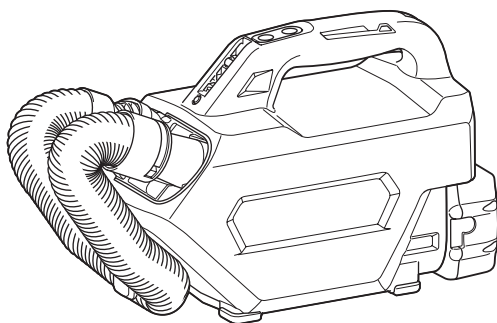


INSTRUCTION MANUAL
MANUEL D'INSTRUCTION
MANUAL DE INSTRUCCIONES



Cordless Cleaner Aspirateur sans Fil Aspiradora Inalámbrica

DCL184



IMPORTANT: Read Before Using.

IMPORTANT : Lire avant usage.

IMPORTANTE: Lea antes de usar.

SPECIFICATIONS

Model:		DC1814
Capacity	with a dust bag	500 mL
	with a paper filter	330 mL
Continuous use (with battery BL1830B)	1 (Normal speed mode)	Approx. 80 min
	2 (High speed mode)	Approx. 30 min
	3 (Max speed mode)	Approx. 20 min
Overall length (with battery BL1830B)		365 mm (14-3/8")
Rated voltage		D.C. 18 V
Net weight		1.8 - 2.2 kg (4.0 - 4.9 lbs)

- Due to our continuing program of research and development, the specifications herein are subject to change without notice.
- Specifications may differ from country to country.
- The weight does not include accessories but battery cartridge(s). The lightest and heaviest combination weight of the appliance and battery cartridge(s) are shown in the table.

Applicable battery cartridge and charger

Battery cartridge	BL1815N / BL1820B / BL1830B / BL1840B / BL1850B / BL1860B
Charger	DC18RC / DC18RD / DC18RE / DC18SD / DC18SE / DC18SF / DC18SH / DC18WC

- Some of the battery cartridges and chargers listed above may not be available depending on your region of residence.

⚠WARNING: Only use the battery cartridges and chargers listed above. Use of any other battery cartridges and chargers may cause injury and/or fire.

SAFETY WARNINGS

IMPORTANT SAFETY INSTRUCTIONS

When using an electrical appliance, basic precautions should always be followed, including the following:

**READ ALL
INSTRUCTIONS
BEFORE USING
THIS APPLIANCE.**

WARNING

To reduce the risk of fire, electric shock or injury:

1. **Do not leave appliance when battery fitted. Remove battery from appliance when not in use and before servicing.**
2. **Do not use on wet surfaces. Do not expose to rain. Store indoors.**
3. **Do not allow to be used as a toy. Close attention is necessary when used by or near children.**
4. **Use only as described in this manual. Use only manufacturer's recommended attachments.**
5. **Do not use with damaged battery. If appliance is not working as it should, has been dropped, damaged, left outdoors, or dropped into water, return it to a service center.**

6. **Do not handle appliance with wet hands.**
7. **Do not put any object into openings. Do not use with any opening blocked; keep free of dust, lint, hair, and anything that may reduce air flow.**
8. **Keep hair, loose clothing, fingers, and all parts of body away from openings and moving parts.**
9. **Turn off all controls before removing the battery cartridge.**
10. **Use extra care when cleaning on stairs.**
11. **Do not use to pick up flammable or combustible liquids, such as gasoline, or use in areas where they may be present.**
12. **Do not pick up anything that is burning or smoking, such as cigarettes, matches, or hot ashes.**
13. **Do not use without dust bag and/or filters in place.**
14. **Do not charge the battery outdoors.**
15. **Prevent unintentional starting. Ensure the switch is in the off-position before connecting to battery pack, picking up or carrying the appliance.** Carrying the appliance with your finger on the switch or energizing appliance that have the switch on invites accidents.
16. **Disconnect the battery pack from the appliance before making any adjustments, changing accessories, or storing appliance.** Such preventive safety measures reduce the risk of starting the appliance accidentally.
17. **Recharge only with the charger specified by the manufacturer.** A charger that is suitable for one type of battery pack may create a risk of fire when used with another battery pack.
18. **Use appliances only with specifically designated battery packs.** Use of any other battery packs may create a risk of injury and fire.
19. **When battery pack is not in use, keep it away from other metal objects, like paper clips, coins, keys, nails, screws or other small metal objects, that can make a connection from one terminal to another.** Shorting the battery terminals together may cause burns or a fire.
20. **Under abusive conditions, liquid may be ejected from the battery; avoid contact. If contact accidentally occurs, flush with water. If liquid contacts eyes, additionally seek medical help.** Liquid ejected from the battery may cause irritation or burns.
21. **Do not use a battery pack or appliance that is damaged or modified. Damaged or modified batteries may exhibit unpredictable behaviour resulting in fire, explosion or risk of injury.**
22. **Do not expose a battery pack or appliance to fire or excessive temperature. Exposure to fire or temperature above 130 °C may cause explosion.**
23. **Follow all charging instructions and do not charge the battery pack or appliance outside of the temperature range specified in the instructions.** Charging improperly or at temperatures outside of the specified range may damage the battery and increase the risk of fire.
24. **Have servicing performed by a qualified repair person using only identical replacement parts.** This will ensure that the safety of the product is maintained.
25. **Do not modify or attempt to repair the appliance or the battery pack except as indicated in the instructions for use and care.**

SAVE THESE INSTRUCTIONS.

ADDITIONAL SAFETY RULES

This appliance is intended for commercial use.

1. Read this instruction manual and the charger instruction manual carefully before use.
2. Do not vacuum the following:
 - Flammable liquid (kerosene, gasoline, solvents such as benzene, thinner, etc.)
 - Hot substances that are burning or smoking (cigarettes, matches, incense sticks, candles, hot ashes), sparks and metal dust generated by cutting or grinding metal, etc.
 - Flammable material (toner, paint, spray, etc.)
 - Foam like carpet cleaning agent, etc. (they may cause explosion or fire)
 - Explosive or pyrophoric substances (nitroglycerin, aluminum, magnesium, titanium, zinc, red phosphorus, yellow phosphorus, celluloid, etc. and their dust, gas or steam)
 - Sharp objects (glass, cutlery, wood splinter, metal, stone, nail, razor, push pin, etc.)
 - Solidifying and conductive fine powder (metal or carbon powder)
 - Dehumidifier
 - Large amount of powder (flour, fire extinguisher powder, etc.)
 - Substances that cause toxic symptoms
 - Aggressive chemicals (acid, leach, etc.)
 - Liquid or damp garbage, including vomit and excreta
 - Asbestos
 - Pesticides
3. Stop operation immediately if you notice anything abnormal.
4. If you drop or strike the cleaner, check it carefully for cracks or damage before operation.
5. Do not bring close to stoves or other heat sources.
6. Do not block the intake hole or vent holes.

Such action may cause fire, injury and/or property damage.

To reduce your exposure to these chemicals, always wear approved respiratory protection such as dust masks that are specially designed to filter out microscopic particles. Direct the exhaust air away from your face and body.

3. Stop operation immediately if you notice anything abnormal.
4. If you drop or strike the cleaner, check it carefully for cracks or damage before operation.
5. Do not bring close to stoves or other heat sources.
6. Do not block the intake hole or vent holes.

SAVE THESE INSTRUCTIONS.

Symbols

The followings show the symbols used for tool.

v	volts
≡	direct current

Important safety instructions for battery cartridge

1. Before using battery cartridge, read all instructions and cautionary markings on (1) battery charger, (2) battery, and (3) product using battery.
2. Do not disassemble or tamper the battery cartridge. It may result in a fire, excessive heat, or explosion.
3. If operating time has become excessively shorter, stop operating immediately. It may result in a risk of overheating, possible burns and even an explosion.
4. If electrolyte gets into your eyes, rinse them out with clear water and seek medical attention right away. It may result in loss of your eyesight.

5. **Do not short the battery cartridge:**
 - (1) **Do not touch the terminals with any conductive material.**
 - (2) **Avoid storing battery cartridge in a container with other metal objects such as nails, coins, etc.**
 - (3) **Do not expose battery cartridge to water or rain.**

A battery short can cause a large current flow, overheating, possible burns and even a breakdown.
6. **Do not store and use the tool and battery cartridge in locations where the temperature may reach or exceed 50 °C (122 °F).**
7. **Do not incinerate the battery cartridge even if it is severely damaged or is completely worn out. The battery cartridge can explode in a fire.**
8. **Do not nail, cut, crush, throw, drop the battery cartridge, or hit against a hard object to the battery cartridge.** Such conduct may result in a fire, excessive heat, or explosion.
9. **Do not use a damaged battery.**
10. **The contained lithium-ion batteries are subject to the Dangerous Goods Legislation requirements.** For commercial transports e.g. by third parties, forwarding agents, special requirement on packaging and labeling must be observed. For preparation of the item being shipped, consulting an expert for hazardous material is required. Please also observe possibly more detailed national regulations. Tape or mask off open contacts and pack up the battery in such a manner that it cannot move around in the packaging.
11. **When disposing the battery cartridge, remove it from the tool and dispose of it in a safe place. Follow your local regulations relating to disposal of battery.**
12. **Use the batteries only with the products specified by Makita.** Installing the batteries to non-compliant products may result in a fire, excessive heat, explosion, or leak of electrolyte.
13. **If the tool is not used for a long period of time, the battery must be removed from the tool.**
14. **During and after use, the battery cartridge may take on heat which can cause burns or low temperature burns. Pay attention to the handling of hot battery cartridges.**
15. **Do not touch the terminal of the tool immediately after use as it may get hot enough to cause burns.**
16. **Do not allow chips, dust, or soil stuck into the terminals, holes, and grooves of the battery cartridge.** It may cause heating, catching fire, burst and malfunction of the tool or battery cartridge, resulting in burns or personal injury.
17. **Unless the tool supports the use near high-voltage electrical power lines, do not use the battery cartridge near a high-voltage electrical power lines.** It may result in a malfunction or breakdown of the tool or battery cartridge.
18. **Keep the battery away from children.**

SAVE THESE INSTRUCTIONS.

⚠ CAUTION: Only use genuine Makita batteries. Use of non-genuine Makita batteries, or batteries that have been altered, may result in the battery bursting causing fires, personal injury and damage. It will also void the Makita warranty for the Makita tool and charger.

Tips for maintaining maximum battery life

1. **Charge the battery cartridge before completely discharged. Always stop tool operation and charge the battery cartridge when you notice less tool power.**
2. **Never recharge a fully charged battery cartridge. Overcharging shortens the battery service life.**
3. **Charge the battery cartridge with room temperature at 10 °C - 40 °C (50 °F - 104 °F). Let a hot battery cartridge cool down before charging it.**
4. **When not using the battery cartridge, remove it from the tool or the charger.**
5. **Charge the battery cartridge if you do not use it for a long period (more than six months).**

FUNCTIONAL DESCRIPTION

CAUTION: Always be sure that the tool is switched off and the battery cartridge is removed before adjusting or checking function on the tool.

CAUTION: Take care not to trap finger(s) between cleaner and battery when loading battery. Trapping finger(s) may cause injury.

Installing or removing battery cartridge

CAUTION: Always switch off the tool before installing or removing of the battery cartridge.

CAUTION: Hold the tool and the battery cartridge firmly when installing or removing battery cartridge. Failure to hold the tool and the battery cartridge firmly may cause them to slip off your hands and result in damage to the tool and battery cartridge and a personal injury.

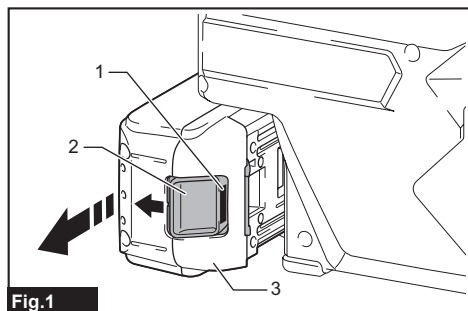


Fig.1
► 1. Red indicator 2. Button 3. Battery cartridge

To remove the battery cartridge, slide it from the tool while sliding the button on the front of the cartridge.

To install the battery cartridge, align the tongue on the battery cartridge with the groove in the housing and slip it into place. Insert it all the way until it locks in place with a little click. If you can see the red indicator as shown in the figure, it is not locked completely.

CAUTION: Always install the battery cartridge fully until the red indicator cannot be seen. If not, it may accidentally fall out of the tool, causing injury to you or someone around you.

CAUTION: Do not install the battery cartridge forcibly. If the cartridge does not slide in easily, it is not being inserted correctly.

Tool / battery protection system

The tool is equipped with a tool/battery protection system. This system automatically cuts off power to the motor to extend tool and battery life.

The tool will automatically stop during operation if the tool or battery are placed under one of the following conditions. In some conditions, the indication lamp lights up.

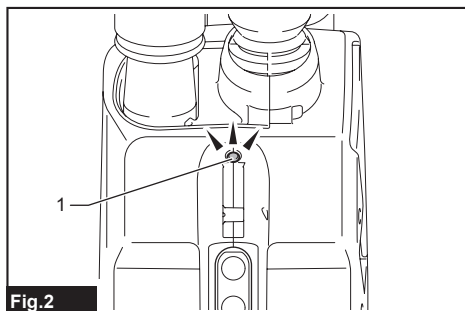


Fig.2
► 1. Indication lamp

Overload protection

When the tool is operated in a manner that causes it to draw an abnormally high current, the tool stops automatically and the indicator lights up for about 60 seconds. In this situation, turn the tool off and stop the application that caused the tool to become overloaded. Then turn the tool on to restart.

Overheat protection

When the tool/battery is overheated, the tool stops automatically and the battery indicator lights up for about 60 seconds. The tool does not start even if you turn the tool on. In this situation, let the battery cool before turning the tool on again.

Overdischarge protection

When the remaining battery capacity gets low, the indicator blinks. By further use, the tool stops and the indicator lights up for about 60 seconds. If you turn the tool on, the motor runs again but stops soon. In this situation, charge the battery cartridge.

NOTE: The timing, at which the lamp lights up, depends on the temperature at work place and the battery cartridge conditions.

Indicating the remaining battery capacity

Only for battery cartridges with the indicator

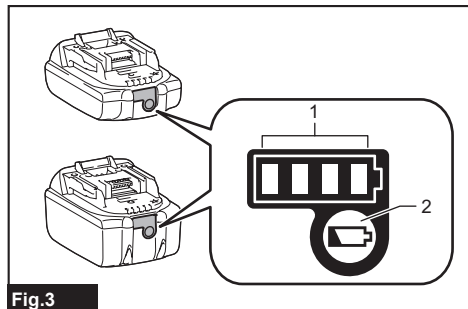


Fig.3

► 1. Indicator lamps 2. Check button

Press the check button on the battery cartridge to indicate the remaining battery capacity. The indicator lamps light up for a few seconds.

Indicator lamps			Remaining capacity
Lighted	Off	Blinking	
■	□	▧	75% to 100%
■ ■ ■ ■			
■ ■ ■ □			50% to 75%
■ ■ □ □			25% to 50%
■ □ □ □			0% to 25%
▧ □ □ □			Charge the battery.
■ ■ □ □			The battery may have malfunctioned.
□ □ ■ ■	↑ ↓		

NOTE: Depending on the conditions of use and the ambient temperature, the indication may differ slightly from the actual capacity.

NOTE: The first (far left) indicator lamp will blink when the battery protection system works.

Switch action

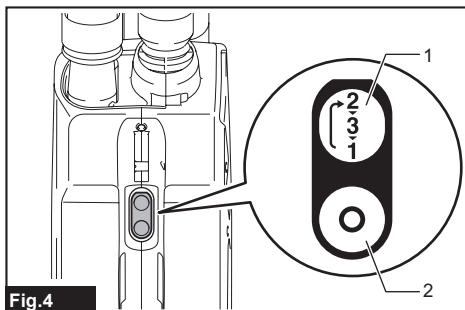


Fig.4

► 1. ON/speed change button 2. OFF button

To start the cleaner, simply push the ON/speed change button. To switch off, push the OFF button.

You can change the cleaner speed in three steps by pushing the ON/speed change button.

The first push on this button is for high speed mode, the second push for max speed mode and the third push for normal speed mode. Each push on this button repeats the high/max/normal speed cycle alternatively.

ASSEMBLY

CAUTION: Always be sure that the tool is switched off and the battery cartridge is removed before carrying out any work on the tool.

Dust bag and paper filter

Install either dust bag or paper filter before using cleaner. Use the dust stopper when installing either dust bag or paper filter.

Dust bag are usable many times repeatedly by cleaning it out.

Paper filter is a throw-away type. Throw away the entire paper filter without emptying when it has become full.

NOTICE: To prevent dust from getting into the motor:

- Make sure that the dust bag or paper filter is installed before use.
- Insert the dust stopper together with the dust bag or paper filter all the way into the slots when installing them.
- Do not use a broken or ripped bag.

Otherwise the motor may be broken.

NOTICE: Do not fold the cardboard at its opening when installing the paper filter.

NOTICE: Never throw away the dust stopper because it needs to be used repeatedly whenever either the dust bag or the paper filter is used.

NOTICE: The paper filter for the cleaner is an important component for maintaining the tool performance. Using other than the genuine paper filter may cause smokes or ignition.

Installing dust bag

Use the dust stopper when installing dust bag. Be careful not to take the upper side for the lower side by mistake because they are different each other.

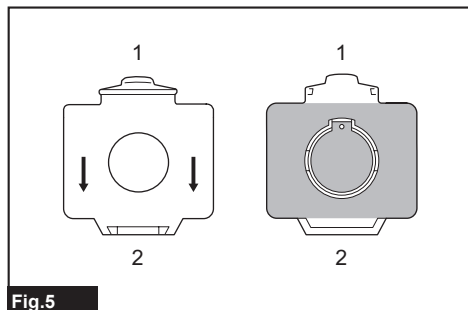


Fig.5

► 1. Upper side of the dust stopper 2. Lower side of the dust stopper

1. Insert the protrusion of the dust bag into the groove on the dust stopper as shown in the figure.

The dust bag does not have distinction between the upper and lower sides. You can insert its protrusion of either side into the groove of the dust stopper.

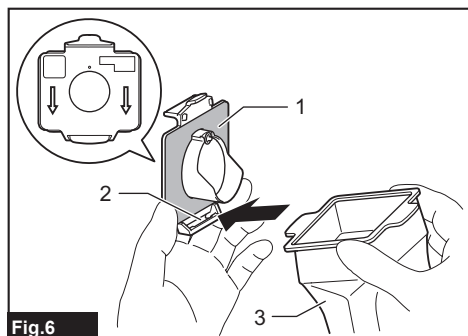


Fig.6

► 1. Dust stopper 2. Groove 3. Dust bag

2. Overlap the frame of dust stopper with that of the dust bag.

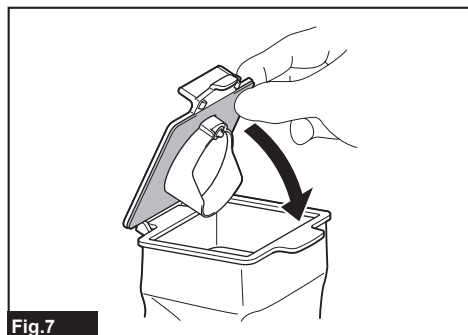


Fig.7

3. Place the dust stopper and the dust bag together into the cleaner cavity in the same direction of arrow on the dust stopper. Insert them all the way into the slots in the cleaner cavity.

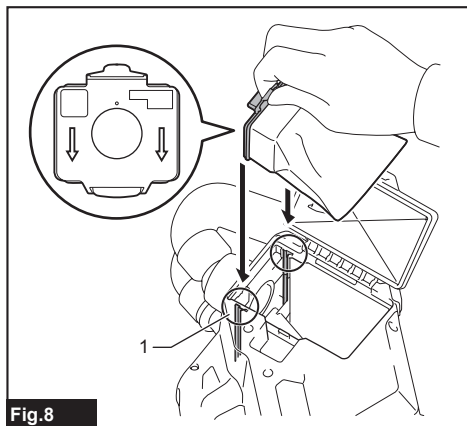


Fig.8

► 1. Slot

4. Place the entire cloth part of the dust bag inside the cleaner itself.

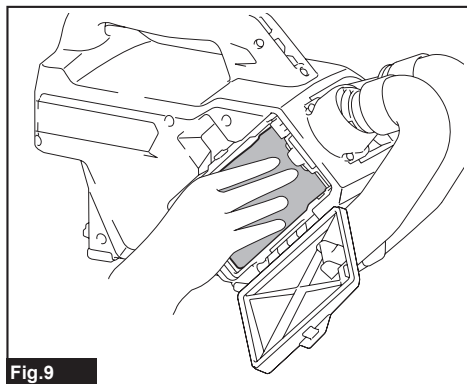


Fig.9

5. Close the dust case cover completely.

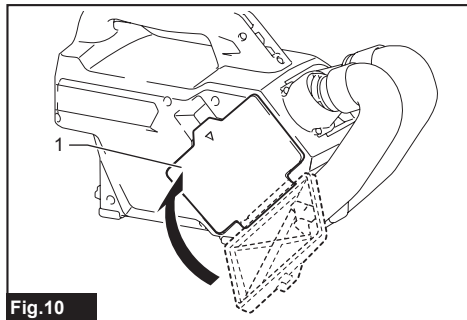


Fig.10

► 1. Dust case cover

NOTE: When the dust bag is not installed in the cleaner, the dust case cover does not close completely.

Installing the paper filter

Use the dust stopper also when installing paper filter. Be careful not to take the upper side for the lower side by mistake because they are different each other.

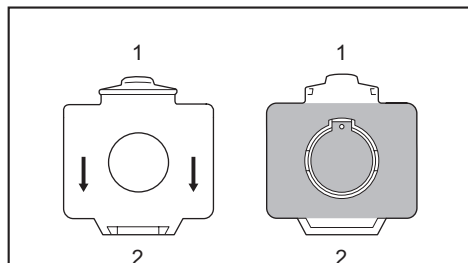


Fig.11

- 1. Upper side of the dust stopper 2. Lower side of the dust stopper

1. Unfold the entrance of the paper filter before setting it on the dust stopper.

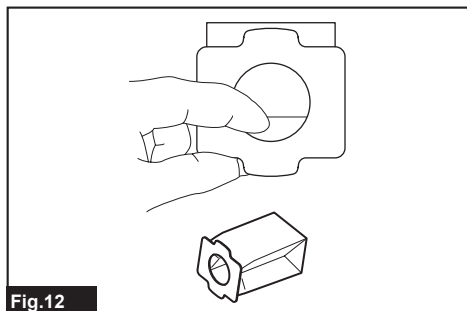


Fig.12

2. Insert the protrusion of the paper filter into the groove on the dust stopper as shown in the figure.

The paper filter does not have distinction between the upper and lower sides. You can insert its protrusion of either side into the groove of the dust stopper.

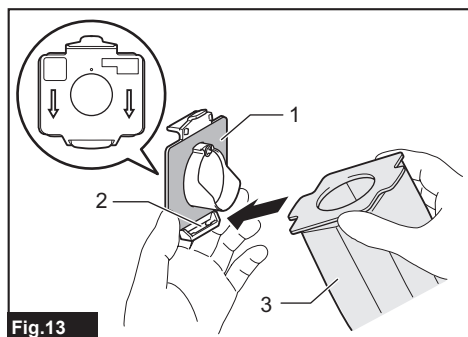


Fig.13

- 1. Dust stopper 2. Groove 3. Paper filter

3. Overlap the frame of dust stopper with that of the paper filter.

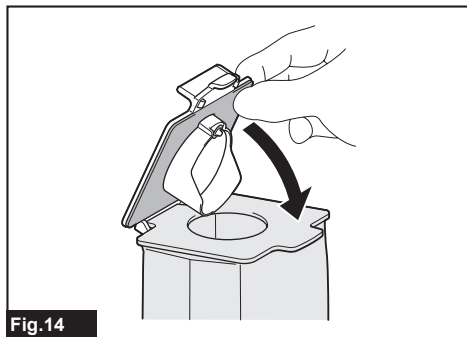


Fig.14

4. Place the dust stopper and the paper filter together into the cleaner cavity in the same direction of arrow on the dust stopper. Insert them all the way into the slots in the cleaner cavity.

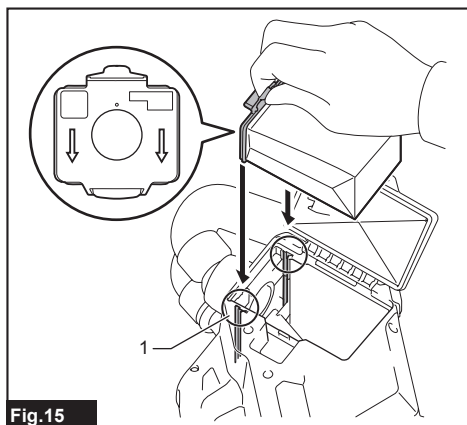


Fig.15

- 1. Slot

5. Place the entire container part of the paper filter inside the tool itself.

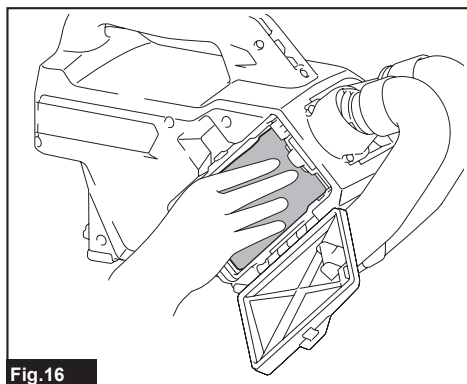


Fig.16

6. Close the dust case cover completely.

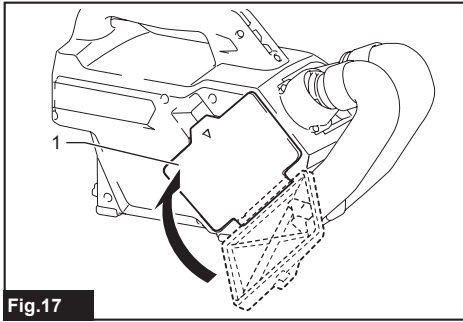


Fig.17

► 1. Dust case cover

NOTE: When the paper filter is not installed in the cleaner, the dust case cover does not close completely.

Installing the shoulder strap

CAUTION: Be careful not to get the shoulder strap caught by objects in your surroundings.

CAUTION: Be careful not to slip the shoulder strap off from your shoulder when using the cleaner. For stable handling of the cleaner, it is recommended to wear the shoulder strap crossed in front of your chest.

Attach the hooks of the shoulder strap onto the mounts of the cleaner as shown in the figure.

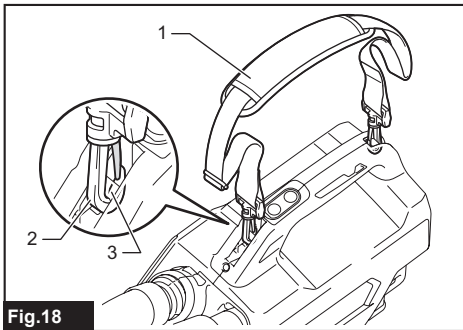


Fig.18

► 1. Shoulder strap 2. Hook 3. Mount

NOTE: You can also attach the shoulder strap to the soft bag (optional accessory) as illustrated.

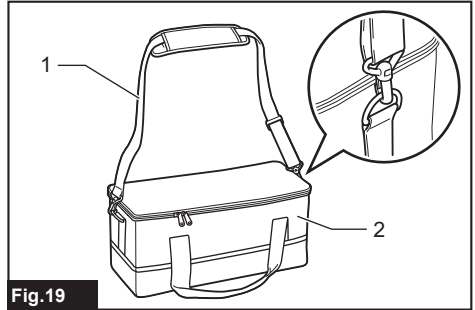


Fig.19

► 1. Shoulder strap 2. Soft bag

OPERATION

CAUTION: Always hold the handle when carrying the cleaner. If you hold the attachment part to carry, it may come off from the cleaner and result in personal injury.

CAUTION: Do not use the appliance while driving a car or the engine is running.

CAUTION: Do not grasp the hose joint as shown in the figure. Holding the hose joint may get your finger pinched.

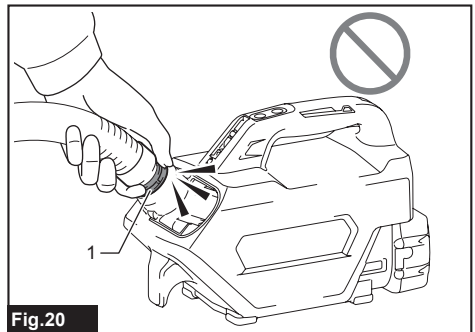


Fig.20

► 1. Hose joint

Using as a vacuum cleaner

NOTE: Remove the blower attachment before vacuum cleaning. If the blower attachment is attached to the cleaner, the suction power will be reduced.

Installing or removing the cleaner attachment

To connect an attachment such as a nozzle, twist and insert it securely to the hose. To disconnect, twist and remove it.

The way of installation varies depending on the nozzles as illustrated.

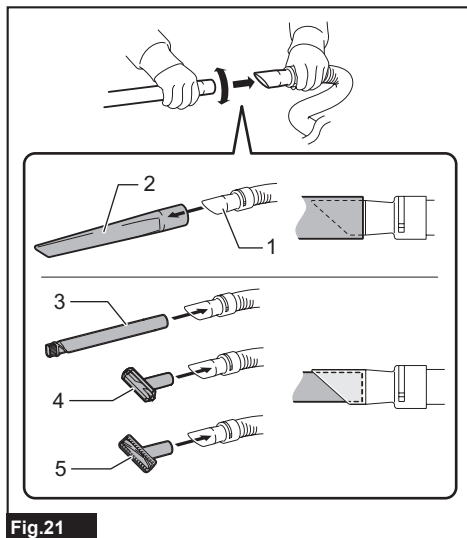


Fig.21

- 1. Hose 2. Rubber nozzle 3. Soft brush 4. Seat nozzle 5. Mat nozzle

Vacuum cleaning

Rubber nozzle

This nozzle is convenient for cleaning bottom corners such as a door pocket. The rubber nozzle is gentle to the cleaning surface.

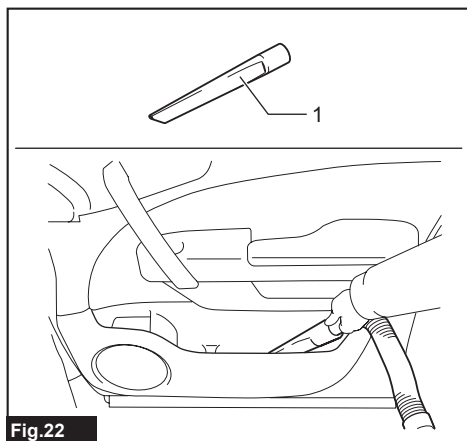


Fig.22

- 1. Rubber nozzle

Soft brush

This nozzle is convenient for cleaning the air conditioner vents, dashboard, etc. The head of the soft brush can be turned to right angle.

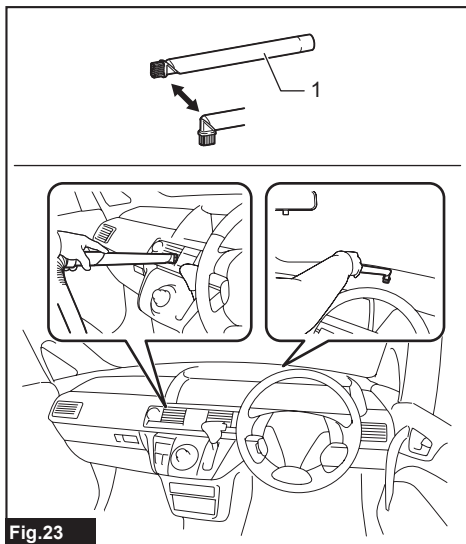


Fig.23

- 1. Soft brush

Seat nozzle

This nozzle has lint brush to clean the seat surface. The side brush on the nozzle is useful for raking dust out of the seams.

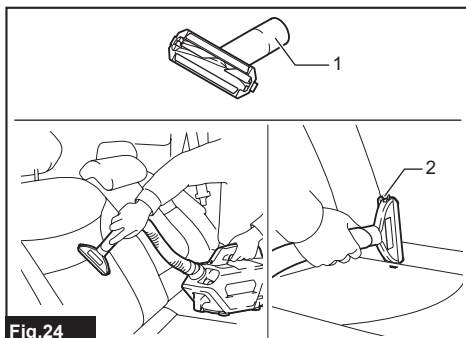


Fig.24

- 1. Seat nozzle 2. Side brush

Mat nozzle

This nozzle is used for cleaning the floor mat and carpet. The teeth on the nozzle help raking out sand grains.

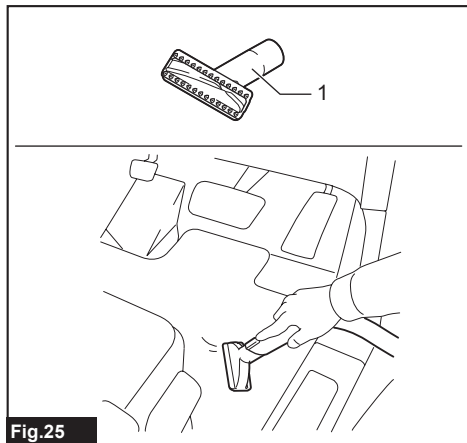


Fig.25

► 1. Mat nozzle

NOTICE: Always use the mat nozzle for cleaning a mat. Using the mat nozzle for other materials may scratch its surface.

Cleaning without nozzle

You can perform vacuum cleaning without the nozzle.

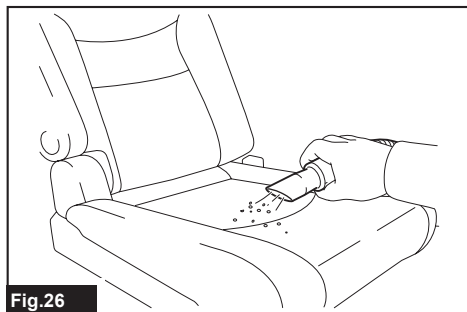


Fig.26

Disposing of dust

CAUTION: Empty the dust bag or replace the paper filter before it becomes full. If not, the suction/blowing force weakens.

CAUTION: When closing the dust case cover, be careful not to pinch your fingers.

NOTICE: Never throw away the dust stopper because it should be used whenever either the dust bag or the paper filter is used.

NOTICE: When the dust bag/paper filter is not inside of the cleaner, the dust case cover does not close completely. Do not force to close the dust case cover. It may result in deforming or breakage of the tool.

NOTICE: When disposing of dust, also clean the room for the dust bag/paper filter. The remaining dust and dirt in the room may cause the sponge filter to be clogged or the motor to be damaged.

1. Open the dust case cover.

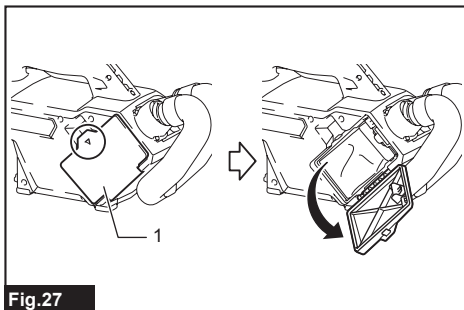


Fig.27

► 1. Dust case cover

2. Pull out both the orange-colored dust stopper and dust bag/paper filter together at the same time.

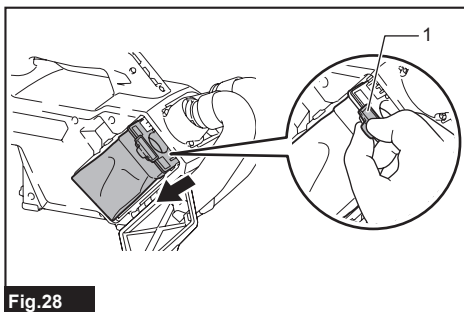


Fig.28

► 1. Dust stopper

3. When using the dust bag

Remove the dust stopper and empty the dust bag.

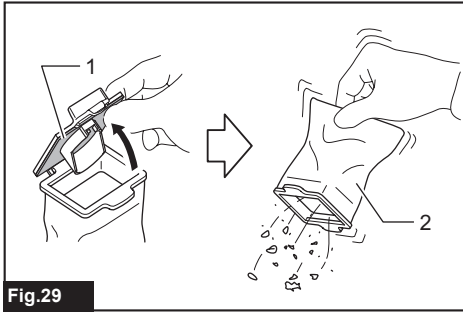


Fig.29

► 1. Dust stopper 2. Dust bag

When using the paper filter

Remove the dust stopper and dispose of the paper filter.

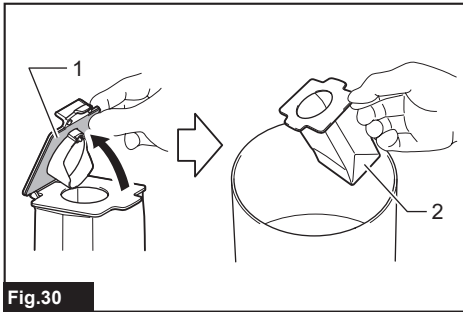


Fig.30

► 1. Dust stopper 2. Paper filter

4. Place the dust bag/new paper filter and dust stopper together into the cleaner and close the dust case cover.

Using as a blower

CAUTION: Never point the nozzle at anyone in the vicinity.

CAUTION: To prevent inhaling dust, it is recommended to open the windows, and also wear protective goggles and mask while operating.

CAUTION: Do not pull the blower attachment. It may come off from the cleaner.

CAUTION: Do not use the cleaner for blowing air into objects, like rubber rafting, balls or other inflatable products. Increased motor revolution may cause dangerous fan breakage.

CAUTION: Never block suction inlet and/or blower outlet. Be careful not to block suction inlet or blower outlet with dust or dirt when operating in dusty area.

CAUTION: Do not use nozzles other than the nozzles provided by Makita.

Installing or removing the blower attachment

To attach the blower attachment, align the protrusion of the blower attachment port with the groove on the vent, and then push it until clicks.

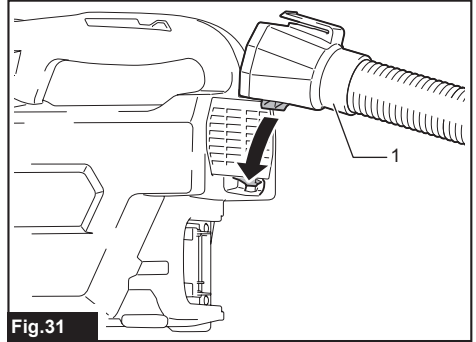


Fig.31

► 1. Blower attachment

To remove the blower attachment, pull the port downward while pressing its top as illustrated.

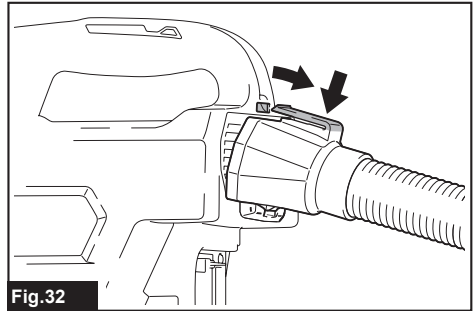


Fig.32

Blowing

Point the tip of blower attachment to the object to blow off and then turn on the tool.

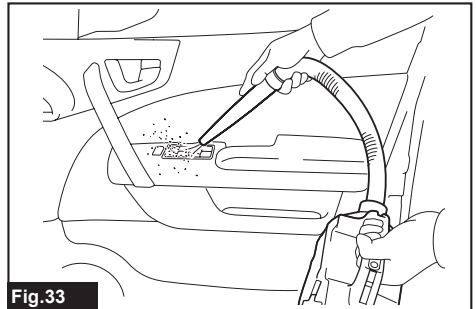


Fig.33

MAINTENANCE

CAUTION: Always be sure that the tool is switched off and the battery cartridge is removed before attempting to perform inspection or maintenance.

NOTICE: Never use gasoline, benzene, thinner, alcohol or the like. Discoloration, deformation or cracks may result.

To maintain product SAFETY and RELIABILITY, repairs, any other maintenance or adjustment should be performed by Makita Authorized or Factory Service Centers, always using Makita replacement parts.

Cleaning

From time to time wipe off the outside (cleaner body) of the cleaner using a cloth dampened in soapy water. Clean out also the suction opening, dust bag/paper filter mounting area and the dust stopper.

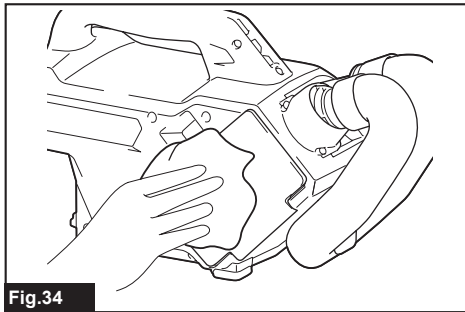


Fig.34

Wash the dust bag in soapy water when it is clogged with dust and the cleaner power becomes weak. Dry it out thoroughly before use. An insufficiently dried filter may cause poor suction and shorten the service life of the motor.

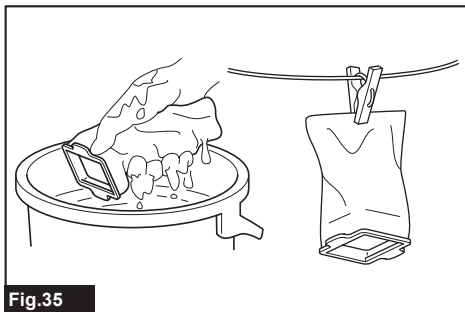


Fig.35

NOTE: Paper filter is a throw-away type.

When the sponge filter is clogged with dust, remove it from the cleaner and then wipe it off or wash in water.

Removing and installing the sponge filter

CAUTION: After cleaning sponge filter, be sure to install it on the cleaner. If washed in water, dry it up before installing. An insufficiently dried sponge filter may shorten the service life of the motor.

To remove the sponge filter, remove the dust bag or paper filter and then pinch and take it out.

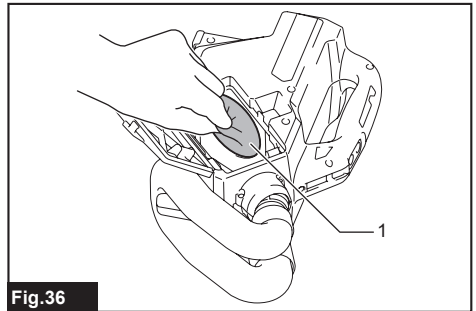


Fig.36

► 1. Sponge filter

Press in the whole edge of the sponge filter against the recessed wall inside the dust bag/paper filter mounting area.

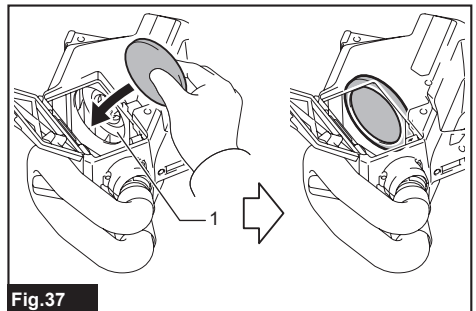


Fig.37

► 1. Recessed wall

Storage

WARNING: Never leave the battery cartridge and charger in a car. The temperature inside a car sitting in the sun may exceed 50 °C (122 °F). It may cause the battery cartridge deteriorated and result in liquid ejection, smoke emission or a fire.

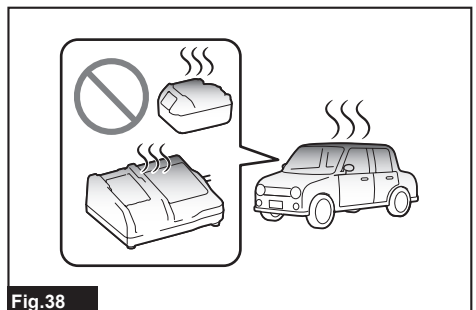


Fig.38

⚠WARNING: Never use the charger while storing it in the storage bag. Blocking the air vent may result in smoking emission or a fire.

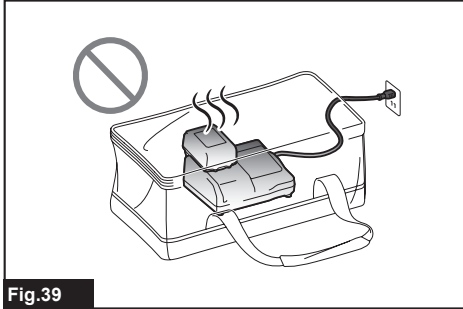


Fig.39

⚠WARNING: Never charge the battery cartridge with on-vehicle inverter. It may cause abnormal heat and result in a fire.

⚠WARNING: Never charge the battery cartridge in a car. If the battery cartridge is exposed to the temperature range out of 10°C (50 °F) - 40°C (104 °F), it may generate heat and/or fire or explode.

⚠CAUTION: Always store the hose as illustrated to avoid tripping, when the cleaner is not used. Unfolded hose may catch your foot and cause personal injury.

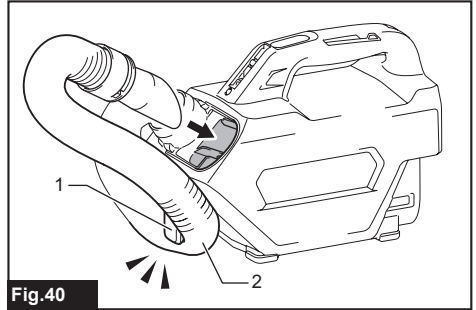


Fig.40

► 1. Hook 2. Hose

Troubleshooting

Before asking for repairs, check the following points.

Symptom	Area to be investigated	Fixing method
Weak suction power	Is dust bag or paper filter full of dust ?	Empty dust bag or paper filter.
	Is dust bag clogged ?	Dust down or wash the dust bag.
	Is paper filter clogged ?	Replace paper filter.
	Is the battery cartridge discharged?	Charge the battery cartridge.
Not working	Is the battery cartridge discharged?	Charge the battery cartridge.
Dust case cover does not close	Is dust bag or paper filter set ?	Set dust bag or paper filter.

NOTICE: Do not attempt to repair cleaner by yourself.

OPTIONAL ACCESSORIES

⚠CAUTION: These accessories or attachments are recommended for use with your Makita tool specified in this manual. The use of any other accessories or attachments might present a risk of injury to persons. Only use accessory or attachment for its stated purpose.

If you need any assistance for more details regarding these accessories, ask your local Makita Service Center.

- Extension wand (Straight pipe)
- Nozzle
- Nozzle for carpet
- Shelf brush
- Corner nozzle

- Round brush
- Flexible hose
- Paper filter
- Free nozzle
- Seat nozzle
- Crevice nozzle
- Cyclone attachment
- Dust bag
- High performance dust bag
- Soft bag
- Makita genuine battery and charger

NOTE: Some items in the list may be included in the tool package as standard accessories. They may differ from country to country.

MAKITA LIMITED WARRANTY

Please refer to the annexed warranty sheet for the most current warranty terms applicable to this product. If annexed warranty sheet is not available, refer to the warranty details set forth at below website for your respective country.

United States of America: www.makitatools.com

Canada: www.makita.ca

Other countries: www.makita.com

SPÉCIFICATIONS

Modèle :		DCL184
Capacité	avec un sac à poussière	500 ml
	avec un filtre en papier	330 ml
Utilisation continue (avec batterie BL1830B)	1 (mode vitesse normale)	Environ 80 min.
	2 (mode vitesse élevée)	Environ 30 min.
	3 (mode vitesse max.)	Environ 20 min.
Longueur hors-tout (avec batterie BL1830B)		365 mm (14-3/8")
Tension nominale		C.C. 18 V
Poids net		1,8 - 2,2 kg (4,0 - 4,9 lbs)

- Étant donné l'évolution constante de notre programme de recherche et développement, les spécifications contenues dans ce manuel sont sujettes à modification sans préavis.
- Les spécifications peuvent varier suivant les pays.
- Le poids ne comprend pas les accessoires autres que la/les batterie(s). Les combinaisons la plus légère et la plus lourde d'appareil et de batterie(s) sont indiquées dans le tableau.

Batteries et chargeurs applicables

Batterie	BL1815N / BL1820B / BL1830B / BL1840B / BL1850B / BL1860B
Chargeur	DC18RC / DC18RD / DC18RE / DC18SD / DC18SE / DC18SF / DC18SH / DC18WC

- Suivant la région où vous habitez, il se peut que certaines des batteries et certains des chargeurs énumérés ci-dessus ne soient pas disponibles.

⚠ MISE EN GARDE : Utilisez exclusivement les batteries et chargeurs énumérés ci-dessus. L'utilisation de toute autre batterie ou tout autre chargeur peut entraîner une blessure et/ou un incendie.

CONSIGNES DE SÉCURITÉ

IMPORTANTES CONSIGNES DE SÉCURITÉ

Lors de l'utilisation d'un appareil électrique, vous devez toujours prendre des précautions de base, dont les suivantes :

CONSERVEZ CES INSTRUCTIONS.

MISE EN GARDE

Pour réduire les risques d'incendie, de décharge électrique et de blessure :

1. **Ne quittez pas l'appareil alors que la batterie y est insérée. Retirez la batterie de l'appareil lorsqu'il n'est pas utilisé et avant de le faire réparer.**
2. **Ne l'utilisez pas sur des surfaces mouillées. Ne l'exposez pas à la pluie. Rangez-le à l'intérieur.**
3. **Ne laissez pas les enfants l'utiliser comme jouet. Une attention particulière est nécessaire lors de l'utilisation par les enfants ou près d'eux.**
4. **Utilisez l'outil uniquement de la façon décrite dans ce manuel. Utilisez uniquement les accessoires recommandés par le fabricant.**

5. **Ne l'utilisez pas avec une batterie endommagée. Si l'appareil ne fonctionne pas bien, s'il a été échappé, endommagé, laissé à l'extérieur ou échappé dans l'eau, retournez-le à un centre de service après-vente.**
6. **Ne manipulez pas l'appareil avec les mains mouillées.**
7. **Ne mettez rien dans les ouvertures. N'utilisez jamais l'outil si une des ouvertures est bouchée ; gardez ces dernières exemptes de poussières, charpies, cheveux ou tout objet pouvant réduire la circulation de l'air.**
8. **Gardez les cheveux, les vêtements amples, les doigts et toute autre partie du corps à l'écart des ouvertures et des pièces en mouvement.**
9. **Mettez toutes les commandes hors tension avant de retirer la batterie.**
10. **Soyez tout particulièrement prudent lorsque vous nettoyez sur les marches d'un escalier.**
11. **Ne l'utilisez pas pour aspirer des liquides inflammables ou combustibles tels que l'essence, ou dans des zones où de tels liquides peuvent être présents.**
12. **N'aspirez pas d'objets qui brûlent ou dégagent de la fumée, tels que des cigarettes, des allumettes ou des cendres encore chaudes.**
13. **Ne l'utilisez pas sans avoir mis en place le sac à poussière et/ou les filtres.**
14. **Ne chargez pas la batterie à l'extérieur.**
15. **Évitez le démarrage accidentel. Assurez-vous que l'interrupteur est sur la position d'arrêt avant de connecter la batterie, de ramasser l'appareil ou de le transporter. Transporter l'appareil avec le doigt sur l'interrupteur, ou mettre l'appareil sous tension avec l'interrupteur en position de marche ouvre la porte aux accidents.**
16. **Déconnectez la batterie de l'appareil avant d'effectuer tout réglage, de remplacer les accessoires ou de ranger l'appareil. Ces mesures de sécurité préventives réduiront le risque de démarrage accidentel de l'appareil.**
17. **Ne rechargez la batterie qu'avec le chargeur spécifié par le fabricant. Un chargeur adéquat pour un type donné de batterie peut entraîner un risque d'incendie lorsque utilisé avec un autre type de batterie.**
18. **Utilisez les appareils uniquement avec les batteries spécifiquement désignées. L'utilisation de toute autre batterie peut entraîner un risque de blessure et d'incendie.**
19. **Lorsque la batterie n'est pas utilisée, gardez-la à l'écart des autres objets métalliques tels que trombones, pièces de monnaie, clés, clous, vis et autres petits objets métalliques qui peuvent établir une connexion entre deux bornes. Le court-circuitage des bornes de batterie peut causer des brûlures ou un incendie.**
20. **Dans des conditions d'utilisation abusives, du liquide peut être éjecté de la batterie; évitez tout contact. En cas de contact accidentel, rincez à l'eau. Si le liquide entre en contact avec les yeux, consultez aussi un médecin. Le liquide éjecté de la batterie peut causer de l'irritation ou des brûlures.**
21. **N'utilisez pas une batterie ou un appareil endommagé ou modifié. Les batteries endommagées ou modifiées peuvent avoir un comportement imprévisible dont peuvent résulter un incendie, une explosion ou un risque de blessure.**
22. **N'exposez pas une batterie ou un appareil au feu ou à une température excessive. L'exposition au feu ou à une température supérieure à 130 °C peut entraîner une explosion.**
23. **Respectez toutes les instructions de charge, et ne chargez pas la batterie ou l'appareil hors de la plage de température spécifiée dans les instructions. Charger de manière inadéquate ou à des températures hors de la plage spécifiée peut endommager la batterie et fait augmenter le risque d'incendie.**

24. **L'entretien doit être confié à un réparateur qualifié et n'utilisant que des pièces de rechange identiques aux pièces d'origine.** Cela assurera le maintien du produit dans un état sécuritaire.
25. **Ne modifiez pas ou n'essayez pas de réparer l'appareil ou la batterie autrement que tel qu'indiqué dans les instructions d'utilisation et d'entretien.**

CONSERVEZ CES INSTRUCTIONS.

RÈGLES DE SÉCURITÉ SUPPLÉMENTAIRES

Cet appareil est conçu pour un usage commercial.

1. **Lisez attentivement ce mode d'emploi et le mode d'emploi du chargeur avant d'utiliser l'appareil.**
2. **N'utilisez pas l'appareil pour aspirer les matières suivantes :**
 - Liquides inflammables (kérosène, essence, solvants tels que benzine, diluant, etc.)
 - Substances chaudes qui brûlent ou dégagent de la fumée (cigarettes, allumettes, bâtons d'encens, chandelles, cendres chaudes), étincelles et poussières métalliques générées par la coupe ou le meulage du métal, etc.
 - Matières inflammables (encre en poudre, peinture, substance vaporisée, etc.)
 - Mousses telle qu'agent de nettoyage pour tapis, etc. (elles peuvent causer une explosion ou un incendie)

- Substances explosives ou pyrophoriques (nitroglycérine, aluminium, magnésium, titane, zinc, phosphore rouge, phosphore jaune, celluloïd, etc., et leurs poussières, gaz ou vapeurs)
- Objets tranchants (verre, coutellerie, éclat de bois, métal, pierre, clou, rasoir, punaise, etc.)
- Poudre fine solidifiante et conductrice (poudre de métal ou de carbone)
- Déshydrateur
- Grande quantité de poudre (farine, poudre d'extincteur, etc.)
- Substances qui causent des symptômes d'intoxication
- Produits chimiques corrosifs (acide, lixiviat, etc.)
- Déchets liquides ou humides, y compris vomis et excréments
- Amiante
- Pesticides

Ces applications peuvent causer un incendie, une blessure et/ou des dommages matériels.

Pour réduire le risque d'exposition à ces produits chimiques, portez toujours des dispositifs de protection respiratoire approuvés, tels que des masques antipoussières spécialement conçus pour filtrer les particules microscopiques. Dirigez l'air évacué loin de votre visage et de votre corps.

3. **Arrêtez immédiatement votre outil dès que vous observez quelque chose d'anormal.**
4. **Si vous échappez ou heurtez l'aspirateur, vérifiez soigneusement l'absence de fissures ou dommages avant de l'utiliser à nouveau.**
5. **Ne l'approchez pas du four ni de toute autre source de chaleur.**
6. **N'obstruez pas le trou d'admission ou les trous d'évent.**

CONSERVEZ CES INSTRUCTIONS.

Symboles

Les symboles utilisés pour l'outil sont indiqués ci-dessous.

v	volts
≡	courant continu

Consignes de sécurité importantes pour la batterie

- Avant d'utiliser la batterie, lisez toutes les instructions et les mises en garde apposées sur (1) le chargeur de batterie, (2) la batterie et (3) le produit utilisant la batterie.**
- Ne démontez pas et ne modifiez pas la batterie.** Cela peut entraîner un incendie, une chaleur excessive ou une explosion.
- Cessez immédiatement l'utilisation si le temps de fonctionnement devient excessivement court. Il y a un risque de surchauffe, de brûlures, voire d'explosion.**
- Si l'électrolyte pénètre dans vos yeux, rincez-les à l'eau claire et consultez immédiatement un médecin. Il y a un risque de perte de la vue.**
- Ne court-circuitez pas la batterie :**
 - Ne touchez les bornes avec aucun matériau conducteur.**
 - Évitez de ranger la batterie dans un conteneur avec d'autres objets métalliques tels que clous, pièces de monnaie, etc.**
 - Évitez d'exposer la batterie à l'eau ou à la pluie.**

Un court-circuit de la batterie pourrait provoquer un fort courant, une surchauffe, parfois des brûlures et même une panne.
- Ne rangez pas et n'utilisez pas l'outil ou la batterie dans des emplacements où la température peut atteindre ou dépasser 50 °C (122 °F).**
- Ne jetez pas la batterie au feu même si elle est sérieusement endommagée ou complètement épuisée. La batterie peut exploser au contact du feu.**
- Évitez de clouer, de couper, d'écraser, de lancer ou d'échapper la batterie, ou de heurter un objet dur contre la batterie.** Cela peut entraîner un incendie, une chaleur excessive ou une explosion.
- N'utilisez pas une batterie si elle est endommagée.**
- Les batteries lithium-ion fournies sont soumises aux exigences de la législation sur les marchandises dangereuses.**

Des exigences particulières sur l'emballage et l'étiquetage doivent être respectées lors du transport commercial par des tiers, des transitaires, etc.

Pour préparer la marchandise à expédier, consultez un expert en matériaux dangereux si nécessaire. Respectez aussi les éventuelles réglementations nationales plus détaillées.

Recouvrez de ruban isolant les contacts exposés, et emballez la batterie de sorte qu'elle ne puisse pas se déplacer à l'intérieur de l'emballage.
- Lors de l'élimination de la batterie, retirez-la de l'outil et éliminez-la dans un endroit sûr. Respectez la réglementation locale concernant l'élimination de la batterie.**
- N'utilisez les batteries qu'avec les produits spécifiés par Makita.** Installer les batteries sur des produits non conformes peut entraîner un incendie, une chaleur excessive, une explosion ou une fuite d'électrolyte.
- Suivez la réglementation locale concernant l'élimination de la batterie.**
- Pendant et après l'utilisation, la batterie peut accumuler de la chaleur, ce qui peut causer des brûlures ou des brûlures à basse température. Faites attention lors de la manipulation des batteries chaudes.**

15. **Ne touchez pas la borne de l'outil immédiatement après l'utilisation, car elle peut être assez chaude pour causer des brûlures.**
16. **Ne laissez pas les copeaux, les poussières ou la terre se coincer dans les bornes, les trous et les rainures de la batterie.** Cela pourrait causer un réchauffement, un incendie, un éclatement et une défaillance de l'outil ou de la batterie et entraîner des brûlures ou des blessures corporelles.
17. **À moins que l'outil ne soit compatible avec l'utilisation à proximité des lignes électriques haute tension, n'utilisez pas la batterie à proximité d'une ligne électrique haute tension.** Cela peut entraîner un dysfonctionnement ou une panne de l'outil ou de la batterie.
18. **Gardez la batterie à l'écart des enfants.**

CONSERVEZ CE MODE D'EMPLOI.

ATTENTION : Utilisez exclusivement les batteries fabriquées par Makita. Les batteries autres que celles fabriquées par Makita ou les batteries modifiées peuvent exploser et causer un incendie, une blessure ou des dommages. Cela annule aussi la garantie Makita de l'outil et du chargeur Makita.

Conseils pour maintenir la durée de service maximale de la batterie

1. **Rechargez la batterie avant qu'elle ne soit complètement déchargée. Arrêtez toujours l'outil et rechargez la batterie quand vous remarquez que la puissance de l'outil diminue.**
2. **Ne rechargez jamais une batterie complètement chargée. La surcharge réduit la durée de service de la batterie.**
3. **Chargez la batterie à une température ambiante comprise entre 10 °C et 40 °C (50 °F et 104 °F).** Si la batterie est chaude, laissez-la refroidir avant de la charger.
4. **Lorsque vous n'utilisez pas la batterie, retirez-la de l'outil ou du chargeur.**
5. **Chargez la batterie si elle est restée inutilisée pendant une période prolongée (plus de six mois).**

DESCRIPTION DU FONCTIONNEMENT

ATTENTION : Assurez-vous toujours que l'outil est éteint et que sa batterie est retirée avant de l'ajuster ou de vérifier son fonctionnement.

ATTENTION : Veillez à ne pas vous coincer les doigts entre l'aspirateur et la batterie lorsque vous installez cette dernière. Vous pourriez vous blesser en vous coincant les doigts.

Installation ou retrait de la batterie

ATTENTION : Éteignez toujours l'outil avant d'installer ou de retirer la batterie.

ATTENTION : Tenez fermement l'outil et la batterie lors de l'installation ou du retrait de cette dernière. Si l'outil et la batterie ne sont pas tenus fermement, ils risquent de vous glisser des mains et de subir des dommages, ou encore de vous blesser.

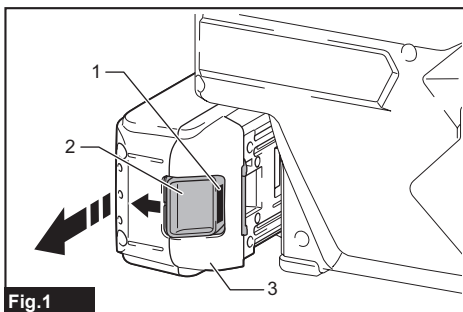


Fig.1

► 1. Indicateur rouge 2. Bouton 3. Batterie

Pour retirer la batterie, faites-la glisser hors de l'outil tout en glissant le bouton qui se trouve à l'avant.

Pour installer la batterie, alignez sa languette sur la rainure pratiquée dans le boîtier et glissez la batterie en place. Insérez-la à fond jusqu'à ce que vous entendiez un léger déclic. Si vous pouvez voir l'indicateur rouge tel qu'illustré sur la figure, cela signifie qu'elle n'est pas complètement verrouillée.

ATTENTION : Installez toujours la batterie à fond jusqu'à ce que vous ne puissiez plus voir l'indicateur rouge. Autrement elle risque de tomber accidentellement de l'outil et d'entraîner des blessures.

ATTENTION : Ne forcez pas sur la batterie pour l'installer. Si la batterie ne glisse pas facilement, c'est qu'elle n'est pas insérée correctement.

Système de protection de l'outil/de la batterie

L'outil est équipé d'un système de protection de l'outil/de la batterie. Ce système coupe automatiquement l'alimentation du moteur pour augmenter la durée de vie de l'outil et de la batterie.

L'outil s'arrête automatiquement pendant l'utilisation lorsque l'outil ou la batterie est dans l'une des situations suivantes. Dans certaines situations, il se peut que le témoin lumineux s'allume.

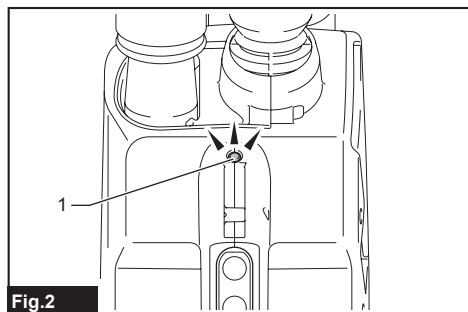


Fig.2

► 1. Témoin lumineux

Protection contre la surcharge

Lorsque l'outil est utilisé d'une façon qui lui fait consommer un courant anormalement élevé, il s'arrête automatiquement et le témoin s'allume pendant environ 60 secondes. Le cas échéant, éteignez l'outil et cessez l'application qui a causé la surcharge de l'outil. Rallumez ensuite l'outil pour redémarrer.

Protection contre la surchauffe

Lorsque l'outil ou la batterie est surchauffé, l'outil s'arrête automatiquement et le voyant de batterie s'allume pendant environ 60 secondes. L'outil ne démarre pas même si vous l'allumez. Dans cette situation, laissez refroidir la batterie avant de rallumer l'outil.

Protection contre les décharges accélérées

Lorsque la charge restante de la batterie est faible, le témoin clignote. Si vous continuez l'utilisation, l'outil s'arrête et le témoin s'allume pendant environ 60 secondes. Si vous allumez l'outil, le moteur tourne de nouveau mais s'arrête aussitôt. Le cas échéant, chargez la batterie.

NOTE : Le moment où le témoin s'allume dépend de la température du lieu de travail et de l'état de la batterie.

Affichage de la charge restante de la batterie

Uniquement pour les batteries avec voyant

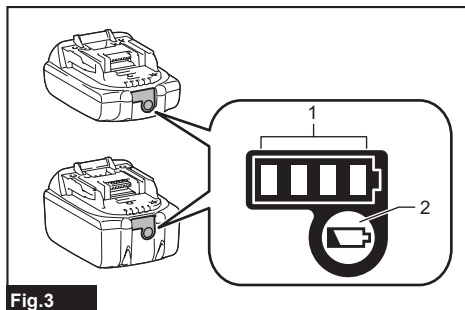


Fig.3

► 1. Témoins indicateurs 2. Bouton de vérification

Appuyez sur le bouton de vérification de la batterie pour afficher la charge restante de la batterie. Les témoins indicateurs s'allument pendant quelques secondes.

Témoins indicateurs			Charge restante
Allumé	Éteint	Clignotant	
■	□	◐	75 % à 100 %
■	■	□	50 % à 75 %
■	■	□	25 % à 50 %
■	□	□	0 % à 25 %
◐	□	□	Chargez la batterie.
■	■	□	La batterie a peut-être mal fonctionné.
□	□	■	

NOTE : Suivant les conditions d'utilisation et la température ambiante, il se peut que l'indication soit légèrement différente de la charge réelle.

NOTE : La première lampe témoin (à l'extrémité gauche) clignote lorsque le dispositif de protection de la batterie s'active.

Interrupteur

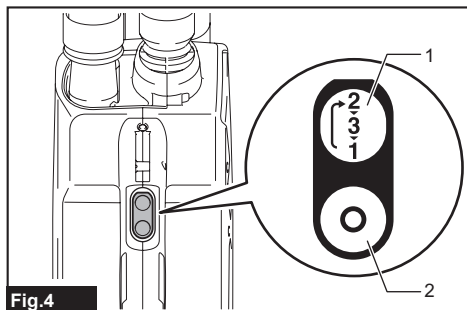


Fig.4

- ▶ 1. Bouton MARCHÉ/changement de vitesse
- 2. Bouton ARRÊT

Pour démarrer l'aspirateur, appuyez simplement sur le bouton MARCHÉ/changement de vitesse. Pour l'éteindre, appuyez sur le bouton ARRÊT.

Vous pouvez modifier la vitesse de l'aspirateur en trois étapes, en appuyant sur le bouton MARCHÉ/changement de vitesse.

La première pression sur ce bouton correspond au mode vitesse élevée, la deuxième au mode vitesse max., et la troisième au mode vitesse normale. Chaque pression sur ce bouton répète l'alternance du cycle de vitesse élevée/max./normale.

ASSEMBLAGE

ATTENTION : Assurez-vous toujours que l'outil est éteint et que sa batterie est retirée avant d'effectuer tout travail dessus.

Sac à poussière et filtre en papier

Avant d'utiliser l'aspirateur, installez le sac à poussière ou le filtre en papier.

Lorsque vous installez le sac à poussière ou le filtre en papier, utilisez le pare-poussière.

Le sac à poussière peut être réutilisé plusieurs fois; il suffit pour cela de le vider.

Le filtre en papier est de type jetable. Lorsque le filtre en papier est plein, jetez-le tel quel sans le vider.

AVIS : Pour éviter que la poussière ne pénètre dans le moteur :

- Avant l'utilisation, assurez-vous que le sac à poussière ou le filtre en papier est installé.
- Lorsque vous les installez, insérez bien à fond dans les fentes le pare-poussière avec le sac à poussière ou le filtre en papier.
- N'utilisez pas un sac endommagé ou déchiré.

Autrement le moteur risque d'être endommagé.

AVIS : Lorsque vous installez le filtre en papier, ne pliez pas l'ouverture du carton.

AVIS : Ne jetez jamais le pare-poussière, car il doit être réutilisé chaque fois que le sac à poussière ou le filtre en papier est utilisé.

AVIS : Le filtre en papier de l'aspirateur est un composant important pour le maintien du rendement de l'outil. L'utilisation de tout autre filtre que le filtre en papier d'origine peut engendrer de la fumée ou du feu.

Pose du sac à poussière

Utilisez le pare-poussière lorsque vous installez le sac à poussière. Prenez garde de confondre la face supérieure et la face inférieure, car elles sont différentes.

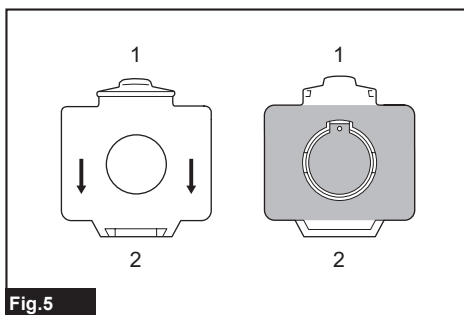


Fig.5

- ▶ 1. Face supérieure du pare-poussière 2. Face inférieure du pare-poussière

1. Insérez la partie saillante du sac à poussière dans la rainure du pare-poussière, tel qu'illustré sur la figure.

Il n'y a pas de différence entre les faces supérieure et inférieure du sac à poussière. Vous pouvez insérer la partie saillante d'une face ou de l'autre dans la rainure du pare-poussière.

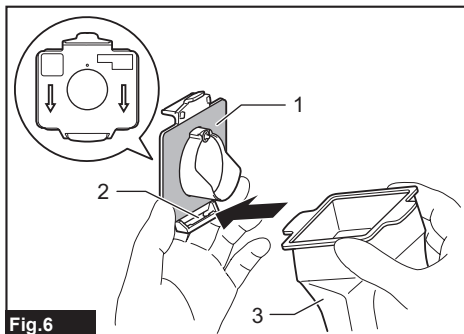


Fig.6

- ▶ 1. Pare-poussière 2. Rainure 3. Sac à poussière

- Faites chevaucher le cadre du pare-poussière avec celui du sac à poussière.

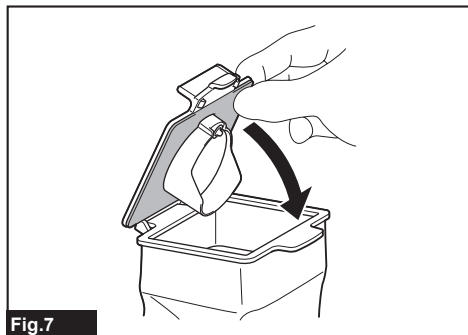


Fig.7

- Mettez le pare-poussière et le sac à poussière ensemble dans la cavité de l'aspirateur, dans le même sens que la flèche du pare-poussière. Insérez-les à fond dans les fentes de la cavité de l'aspirateur.

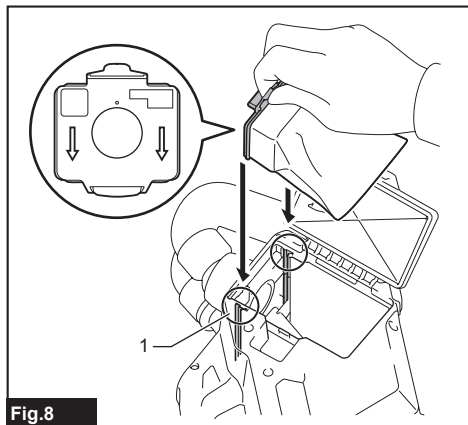


Fig.8

- 1. Fente

- Mettez toute la partie en tissu du sac à poussière à l'intérieur de l'aspirateur.

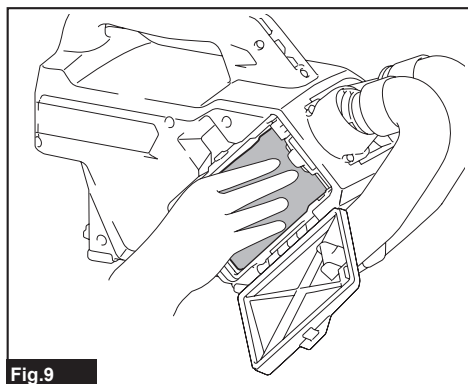


Fig.9

- Fermez complètement le couvercle de compartiment à poussières.

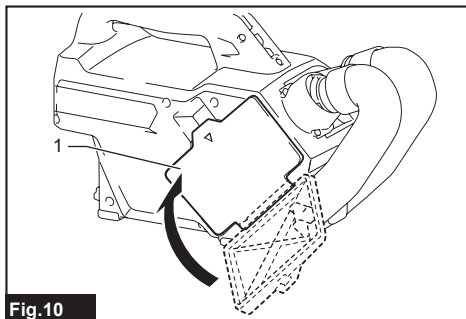


Fig.10

- 1. Couvercle de compartiment à poussières

NOTE : Lorsque le sac à poussière n'est pas posé dans l'aspirateur, le couvercle de compartiment à poussières ne ferme pas complètement.

Pose du filtre en papier

Utilisez le pare-poussière également lorsque vous installez le filtre en papier. Prenez garde de confondre la face supérieure et la face inférieure, car elles sont différentes.

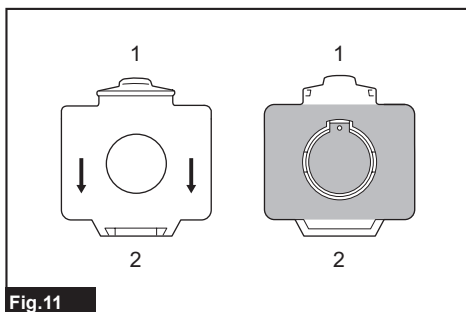


Fig.11

- 1. Face supérieure du pare-poussière 2. Face inférieure du pare-poussière

- Dépliez l'entrée du filtre en papier avant de le placer sur le pare-poussière.

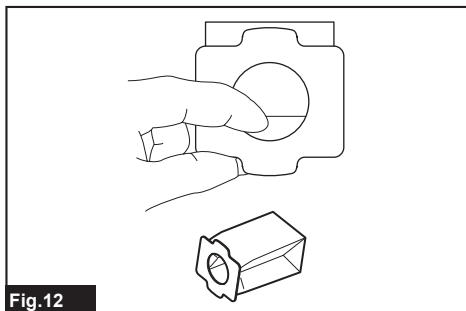


Fig.12

2. Insérez la partie saillante du filtre en papier dans la rainure du pare-poussière, tel qu'illustré sur la figure.

Il n'y a pas de différence entre les faces supérieure et inférieure du filtre en papier. Vous pouvez insérer la partie saillante d'une face ou de l'autre dans la rainure du pare-poussière.

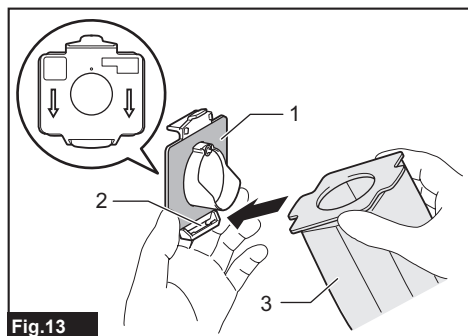


Fig.13

► 1. Pare-poussière 2. Rainure 3. Filtre en papier

3. Faites chevaucher le cadre du pare-poussière avec celui du filtre en papier.

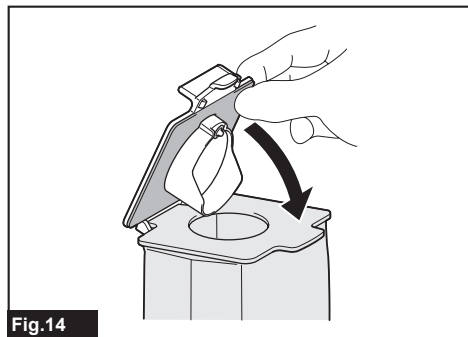


Fig.14

4. Mettez le pare-poussière et le filtre en papier ensemble dans la cavité de l'aspirateur, dans le même sens que la flèche du pare-poussière. Insérez-les à fond dans les fentes de la cavité de l'aspirateur.

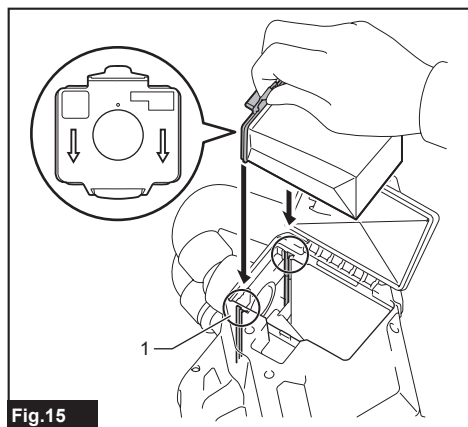


Fig.15

► 1. Fente

5. Mettez tout le contenant du filtre en papier à l'intérieur de l'outil.

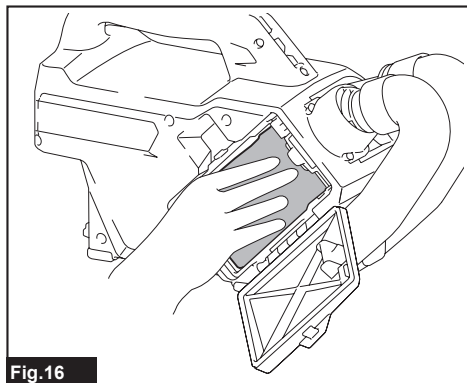


Fig.16

6. Fermez complètement le couvercle de compartiment à poussières.

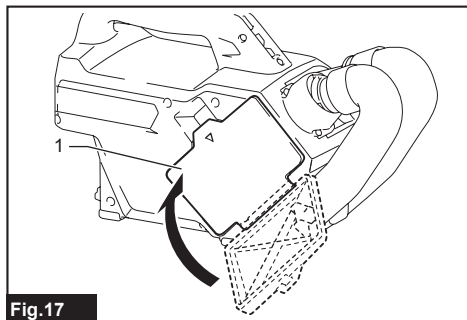


Fig.17

► 1. Couvercle de compartiment à poussières

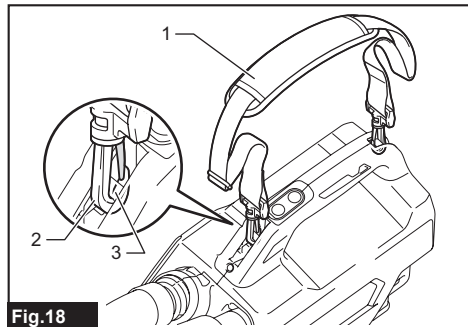
NOTE : Lorsque le filtre en papier n'est pas posé dans l'aspirateur, le couvercle de compartiment à poussières ne ferme pas complètement.

Pose de la bandoulière

⚠ ATTENTION : Prenez garde que la bandoulière ne soit coincée par des objets environnants.

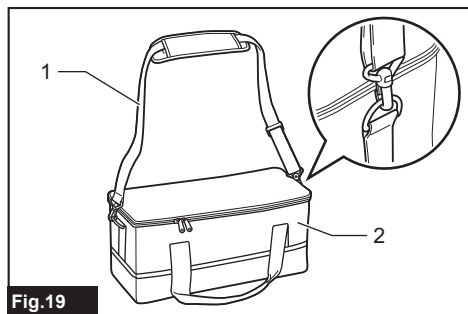
⚠ ATTENTION : Pendant l'utilisation de l'aspirateur, prenez garde de laisser glisser la bandoulière de votre épaule. Pour une manipulation stable de l'aspirateur, il est recommandé de porter la bandoulière croisée devant la poitrine.

Fixez les crochets de la bandoulière aux montures de l'aspirateur tel qu'illustré sur la figure.



► 1. Bandoulière 2. Crochet 3. Monture

NOTE : Vous pouvez également fixer la bandoulière au sac souple (accessoire en option), tel qu'illustré.



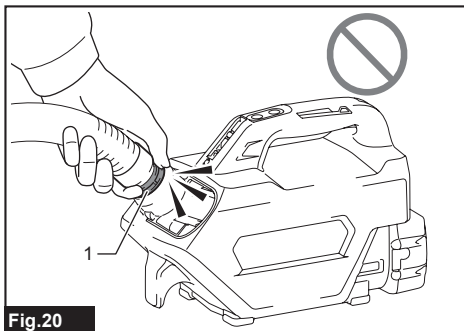
► 1. Bandoulière 2. Sac souple

UTILISATION

⚠ ATTENTION : Tenez toujours l'aspirateur par la poignée lorsque vous le transportez. Si vous le transportez en le tenant par un accessoire, celui-ci risque de se détacher de l'aspirateur et d'entraîner une blessure.

⚠ ATTENTION : N'utilisez pas l'appareil pendant que vous conduisez une voiture ou pendant que le moteur de la voiture tourne.

⚠ ATTENTION : Ne saisissez pas le raccord de tuyau tel qu'illustré sur la figure. En tenant ainsi le raccord de tuyau, vous risqueriez de vous pincer le doigt.



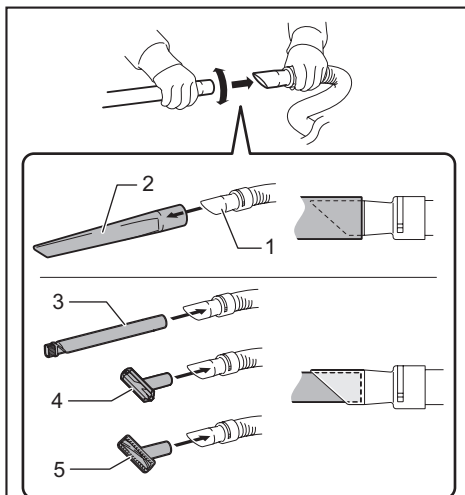
► 1. Raccord de tuyau

Utilisation en tant qu'aspirateur

NOTE : Retirez l'accessoire de souffleur avant de passer l'aspirateur. Si l'accessoire de souffleur est fixé à l'aspirateur, la puissance d'aspiration s'en trouvera réduite.

Pose ou retrait de l'accessoire d'aspirateur

Pour connecter un accessoire tel qu'une buse, insérez-le fermement en le faisant tourner dans le tuyau. Pour le déconnecter, retirez-le en le faisant tourner. La méthode de pose varie suivant les buses, tel qu'illustré.



► 1. Tuyau 2. Buse en caoutchouc 3. Brosse souple 4. Buse de siège 5. Buse pour tapis

Aspiration

Buse en caoutchouc

Cette buse est pratique pour nettoyer les coins inférieurs, tels que les retraits de porte. La buse en caoutchouc est douce pour la surface à nettoyer.

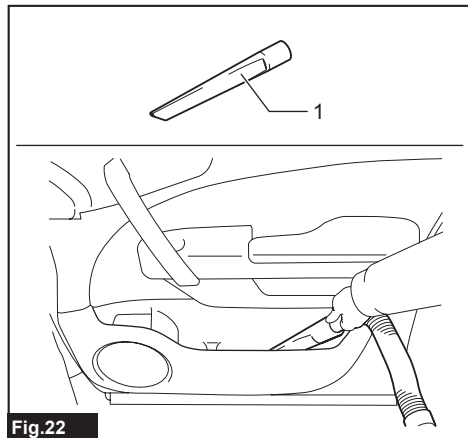


Fig.22

► 1. Buse en caoutchouc

Brosse souple

Cette buse est pratique pour nettoyer les orifices d'aération du climatiseur, le tableau de bord, etc. La tête de la brosse souple peut être tournée sur un angle droit.

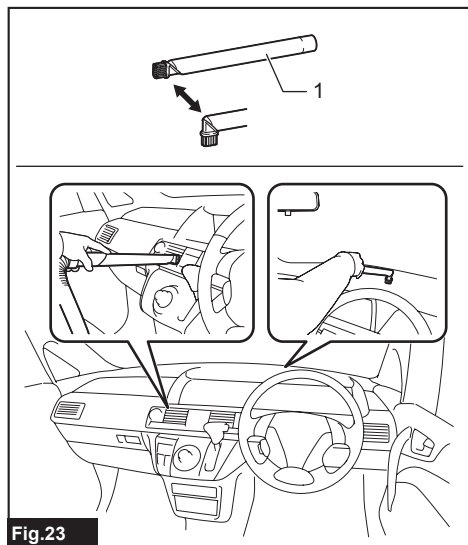


Fig.23

► 1. Brosse souple

Buse de siège

Cette buse est dotée d'une brosse à charpie pour nettoyer la surface du siège. La brosse latérale de la buse est pratique pour raclez les poussières des coutures.

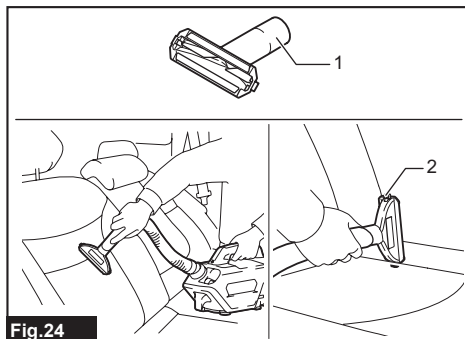


Fig.24

► 1. Buse de siège 2. Brosse latérale

Buse pour tapis

Cette buse sert à nettoyer le tapis de plancher et la moquette. Les dents de la buse aident à raclez les grains de sable.

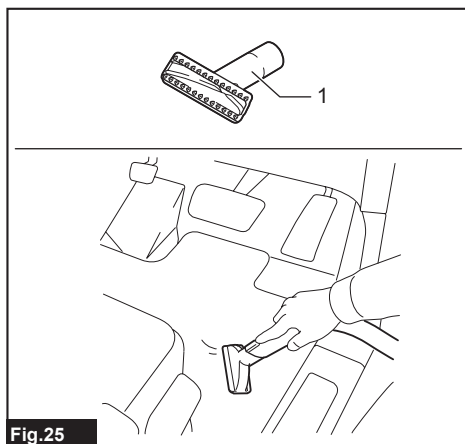


Fig.25

► 1. Buse pour tapis

AVIS : Utilisez toujours la buse pour tapis pour nettoyer un tapis. Utiliser la buse pour tapis pour d'autres matériaux peut en rayer la surface.

Nettoyage sans buse

Vous pouvez passer l'aspirateur sans utiliser la buse.

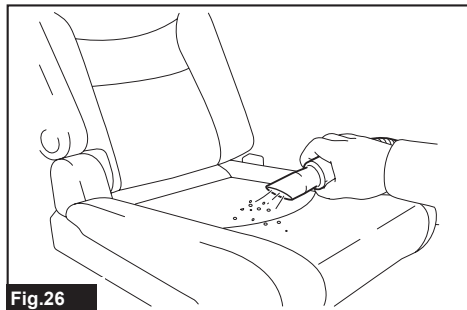


Fig.26

Élimination de la poussière

⚠ ATTENTION : Videz le sac à poussière ou remplacez le filtre en papier avant qu'il ne soit plein. Autrement, la force d'aspiration ou de soufflage diminue.

⚠ ATTENTION : Lorsque vous fermez le couvercle de compartiment à poussières, prenez garde de vous pincer les doigts.

AVIS : Ne jetez jamais le pare-poussière, car il doit être utilisé chaque fois que le sac à poussière ou le filtre en papier est utilisé.

AVIS : Lorsque le sac à poussière ou le filtre en papier n'est pas dans l'aspirateur, le couvercle de compartiment à poussières ne ferme pas complètement. Ne forcez pas pour fermer le couvercle de compartiment à poussières. Cela pourrait déformer ou casser l'outil.

AVIS : Lorsque vous mettez les poussières au rebut, nettoyez également le logement du sac à poussière ou du filtre en papier. Les poussières et saletés restantes dans le logement peuvent obstruer le filtre-éponge ou endommager le moteur.

1. Ouvrez le couvercle de compartiment à poussières.

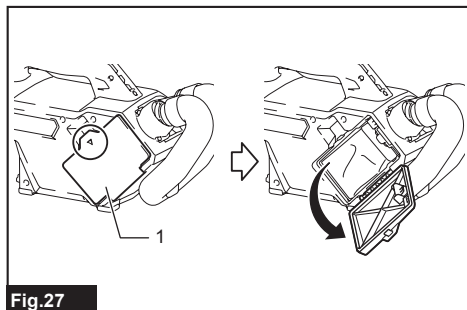


Fig.27

1. Couvercle de compartiment à poussières

2. Tirez en même temps sur le pare-poussière orange et sur le sac à poussière ou le filtre en papier pour les retirer ensemble.

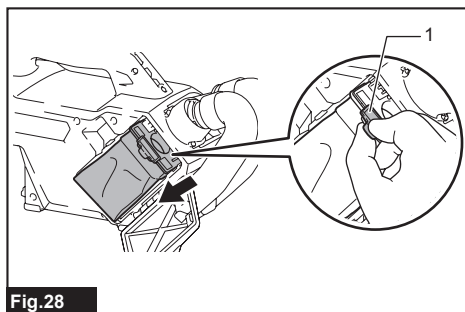


Fig.28

1. Pare-poussière

3. Lors de l'utilisation du sac à poussière Retirez le pare-poussière et videz le sac à poussière.

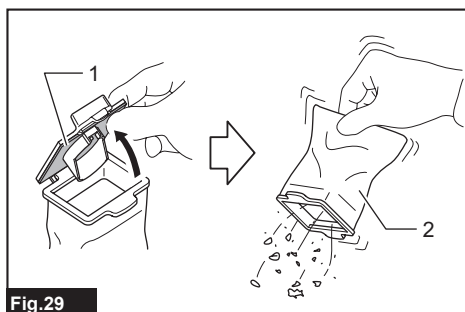


Fig.29

1. Pare-poussière 2. Sac à poussière

- Lors de l'utilisation du filtre en papier Retirez le pare-poussière et jetez le filtre en papier.

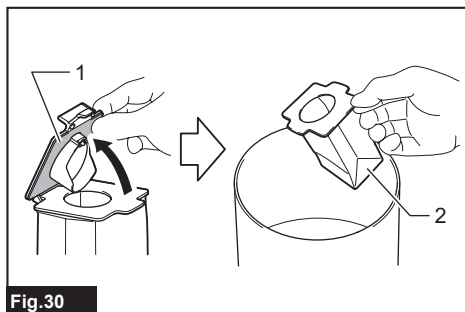


Fig.30

1. Pare-poussière 2. Filtre en papier

4. Mettez le sac à poussière ou le nouveau filtre en papier et le pare-poussière ensemble dans l'aspirateur et fermez le couvercle de compartiment à poussières.

Utilisation en tant que souffleur

⚠ ATTENTION : Ne pointez jamais la buse vers une personne se trouvant à proximité.

⚠ ATTENTION : Pour prévenir l'inhalation des poussières, il est recommandé d'ouvrir les fenêtres, et également de porter des lunettes à coques de protection et un masque pendant l'utilisation.

⚠ ATTENTION : Ne tirez pas sur l'accessoire de souffleur. Il risque de se détacher de l'aspirateur.

⚠ ATTENTION : N'utilisez pas l'aspirateur pour souffler de l'air dans des objets tels que radeaux de caoutchouc, ballons ou autres produits gonflables. L'augmentation de la vitesse de rotation du moteur peut entraîner une rupture dangereuse du ventilateur.

⚠ ATTENTION : Ne bloquez jamais l'entrée d'aspiration et/ou la sortie de souffleur. Prenez garde de bloquer l'entrée d'aspiration ou la sortie de souffleur avec des poussières ou saletés lors de l'utilisation dans une zone poussiéreuse.

⚠ ATTENTION : N'utilisez pas d'autres buses que celles fournies par Makita.

Pose ou retrait de l'accessoire de souffleur

Pour fixer l'accessoire de souffleur, alignez la partie saillante du port d'accessoire de souffleur sur la rainure de l'orifice d'aération, puis poussez jusqu'à ce qu'un bruit de déclic soit émis.

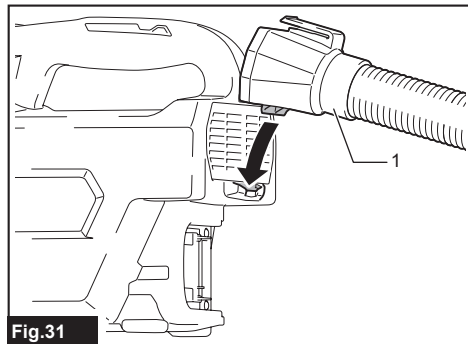


Fig.31

► 1. Accessoire de souffleur

Pour retirer l'accessoire de souffleur, tirez le port vers le bas tout en appuyant par le dessus tel qu'illustré.

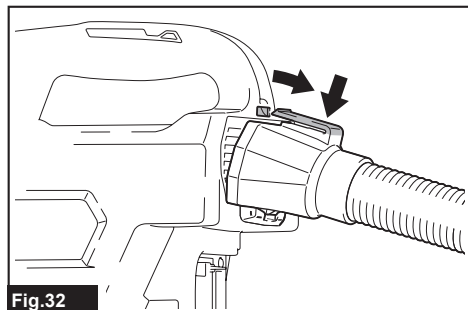


Fig.32

Soufflage

Pointez l'extrémité de l'accessoire de souffleur vers l'objet à souffler, puis allumez l'outil.

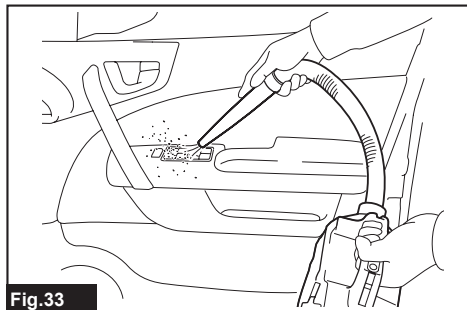


Fig.33

ENTRETIEN

⚠ ATTENTION : Assurez-vous toujours que l'outil est hors tension et que la batterie est retirée avant d'y effectuer tout travail d'inspection ou d'entretien.

AVIS : N'utilisez jamais d'essence, de benzine, de solvant, d'alcool ou autres produits similaires. Une décoloration, une déformation ou la formation de fissures peuvent en découler.

Pour maintenir la SÉCURITÉ et la FIABILITÉ du produit, les réparations et tout autre travail d'entretien ou de réglage doivent être effectués dans un centre de service après-vente autorisé ou une usine Makita, exclusivement avec des pièces de rechange Makita.

Nettoyage

Essuyez régulièrement l'extérieur (le corps) de l'aspirateur avec un chiffon imprégné d'eau savonneuse. Nettoyez également l'ouverture d'aspiration, la surface de montage du sac à poussière ou du filtre en papier, ainsi que le pare-poussière.

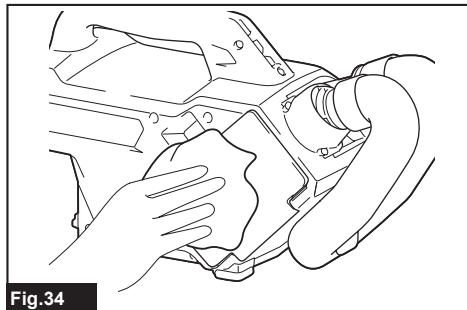


Fig.34

Nettoyez le sac à poussière à l'eau savonneuse lorsqu'il est obstrué par la poussière et que la puissance de l'aspirateur devient faible. Séchez-le entièrement avant utilisation. Un filtre encore humide peut affaiblir l'aspiration et écourter la durée de vie du moteur.

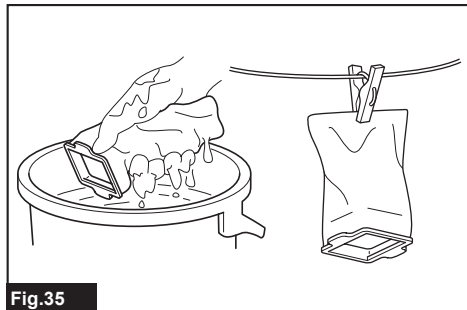


Fig.35

NOTE : Le filtre en papier est de type jetable.

Lorsque le filtre-éponge est obstrué par la poussière, retirez-le de l'aspirateur puis essuyez-le ou lavez-le dans l'eau.

Retrait et pose du filtre-éponge

ATTENTION : Après avoir nettoyé le filtre-éponge, n'oubliez pas de l'installer sur l'aspirateur. Si vous l'avez lavé dans l'eau, laissez-le sécher avant de l'installer. Un filtre-éponge encore humide peut écourter la durée de vie du moteur.

Pour retirer le filtre-éponge, retirez le sac à poussière ou le filtre en papier, puis pincez le filtre-éponge pour l'enlever.

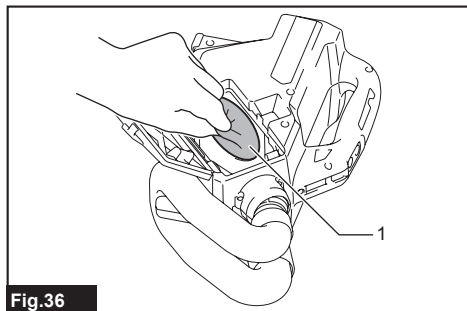


Fig.36

► 1. Filtre-éponge

Appuyez tout le bord du filtre-éponge contre la paroi en retrait à l'intérieur de la surface de montage du sac à poussière ou du filtre en papier.

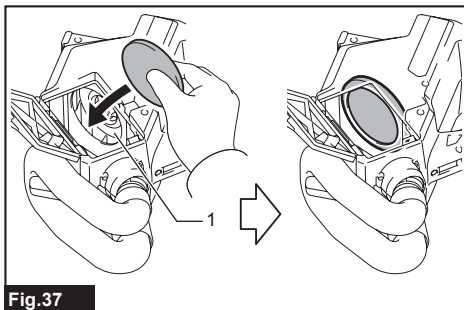


Fig.37

► 1. Paroi en retrait

Rangement

MISE EN GARDE : Ne laissez jamais la batterie et le chargeur dans une voiture. La température peut dépasser 50 °C (122 °F) à l'intérieur d'une voiture exposée au soleil. Cela pourrait détériorer la batterie et provoquer l'éjection de liquide, l'émission de fumée ou un incendie.

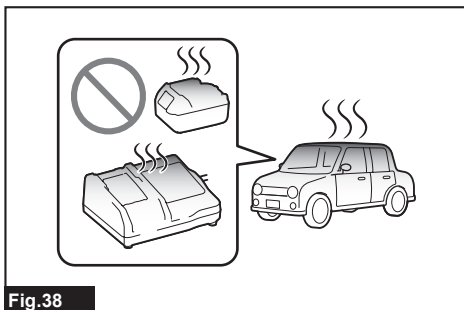


Fig.38

MISE EN GARDE : N'utilisez jamais le chargeur pendant qu'il est dans le sac de rangement. L'obstruction de l'orifice d'aération peut entraîner des émissions de fumée ou un incendie.

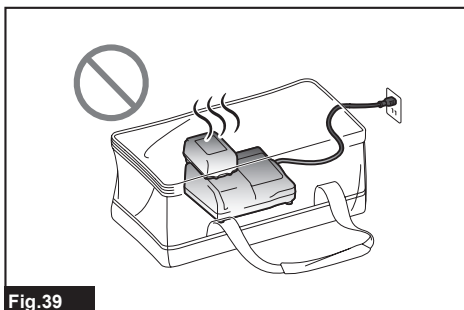


Fig.39

⚠ MISE EN GARDE : Ne chargez jamais la batterie avec l'onduleur du véhicule. Cela peut causer une chaleur anormale et provoquer un incendie.

⚠ MISE EN GARDE : Ne chargez jamais la batterie dans une voiture. Si la batterie est exposée à une température en dehors de la plage de 10 °C (50 °F) - 40 °C (104 °F), elle peut générer de la chaleur et/ou du feu ou exploser.

⚠ ATTENTION : Lorsque l'aspirateur n'est pas utilisé, rangez toujours le tuyau tel qu'illustré pour éviter de trébucher dessus. Un tuyau non rangé peut s'accrocher à votre pied et causer une blessure.

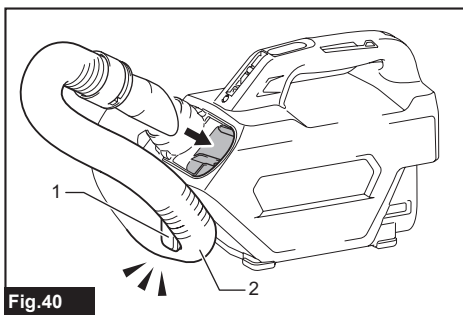


Fig.40

► 1. Crochet 2. Tuyau

Dépannage

Avant de faire une demande de réparation, vérifiez les points suivants.

Symptôme	Zone à inspecter	Méthode de réparation
Faible puissance d'aspiration	Le sac à poussière ou le filtre en papier est-il plein ?	Videz le sac à poussière ou le filtre en papier.
	Le sac à poussière est-il obstrué ?	Dépoussiérez ou lavez le sac à poussière.
	Le filtre en papier est-il obstrué ?	Remplacez le filtre en papier.
	La batterie est-elle déchargée ?	Chargez la batterie.
Ne fonctionne pas	La batterie est-elle déchargée ?	Chargez la batterie.
Le couvercle de compartiment à poussières ne ferme pas.	Le sac à poussière ou le filtre en papier est-il posé ?	Posez le sac à poussière ou le filtre en papier.

AVIS : N'essayez pas de réparer l'aspirateur vous-même.

ACCESSOIRES EN OPTION

⚠ ATTENTION : Ces accessoires ou pièces complémentaires sont recommandés pour l'utilisation avec l'outil Makita spécifié dans ce manuel. L'utilisation de tout autre accessoire ou pièce complémentaire peut comporter un risque de blessure. N'utilisez les accessoires ou pièces complémentaires qu'aux fins auxquelles ils ont été conçus.

Si vous désirez obtenir plus de détails sur ces accessoires, veuillez contacter le centre de service après-vente Makita le plus près.

- Tube de rallonge (tuyau rectiligne)
- Buse
- Buse à tapis
- Brosse à épousseter
- Buse à angle
- Brosse ronde
- Tuyau flexible
- Filtre en papier
- Buse amovible
- Buse de siège
- Suceur plat
- Collecteur cyclone

- Sac à poussière
- Sac à poussière haute performance
- Sac souple
- Chargeur et batterie authentiques Makita

NOTE : Certains éléments de la liste peuvent être inclus avec l'outil comme accessoires standards. Ils peuvent varier suivant les pays.

GARANTIE LIMITÉE MAKITA

Pour les conditions de garantie en vigueur qui s'appliquent à ce produit, veuillez vous reporter à la feuille de garantie en annexe. Si la feuille de garantie en annexe n'est pas disponible, reportez-vous aux détails de la garantie présentés sur le site Web de votre pays, ci-dessous.

États-Unis d'Amérique: www.makitatools.com
Canada: www.makita.ca
Autres pays: www.makita.com

ESPECIFICACIONES

Modelo:		DCL184
Capacidad	con una bolsa recolectora de polvo	500 ml
	con un filtro de papel	330 ml
Uso continuo (con batería BL1830B)	1 (Modo velocidad normal)	Aprox. 80 min.
	2 (Modo velocidad alta)	Aprox. 30 min.
	3 (Modo velocidad máxima)	Aprox. 20 min.
Longitud total (con batería BL1830B)		365 mm (14-3/8")
Tensión nominal		18 V c.c.
Peso neto		1,8 kg - 2,2 kg (4,0 lbs - 4,9 lbs)

- Debido a nuestro continuo programa de investigación y desarrollo, las especificaciones aquí incluidas están sujetas a cambio sin previo aviso.
- Las especificaciones pueden variar de país a país.
- El peso incluye el o los cartuchos de batería, pero no los accesorios. La combinación de menor y mayor peso del aparato y del o los cartuchos de batería se muestra en la tabla.

Cartucho de batería y cargador aplicables

Cartucho de batería	BL1815N / BL1820B / BL1830B / BL1840B / BL1850B / BL1860B
Cargador	DC18RC / DC18RD / DC18RE / DC18SD / DC18SE / DC18SF / DC18SH / DC18WC

- Algunos de los cartuchos de batería y cargadores enumerados arriba podrían no estar disponibles dependiendo de su área de residencia.

⚠ ADVERTENCIA: Use únicamente los cartuchos de batería y los cargadores indicados arriba. El uso de cualquier otro cartucho de batería y cargador podría ocasionar una lesión y/o un incendio.

ADVERTENCIAS DE SEGURIDAD

INSTRUCCIONES IMPORTANTES DE SEGURIDAD

Al usar cualquier aparato eléctrico, siempre deben seguirse las precauciones básicas, incluyendo las siguientes:

GUARDE ESTAS INSTRUCCIONES.

ADVERTENCIA

Para reducir el riesgo de incendio, descarga eléctrica o lesión:

1. No deje el aparato con la batería puesta. Retire la batería del aparato cuando no lo vaya a utilizar y antes de dar servicio de mantenimiento.
2. No lo utilice sobre superficies húmedas. No lo exponga a la lluvia. Almacénelo en interiores.
3. No permita que sea utilizado como un juguete. Supervise de cerca cuando lo utilicen niños o se utilice cerca de ellos.
4. Utilícelo solamente como se describe en este manual. Sólo use aditamentos recomendados por el fabricante.

5. **No lo utilice con una batería dañada. Si el aparato no está funcionando como debiera, se ha dejado caer, se ha dañado, se ha dejado a la intemperie o ha caído sobre agua, llévelo a un centro de servicio.**
6. **No manipule el aparato con las manos mojadas.**
7. **No introduzca ningún objeto en las aberturas. No lo utilice con ninguna abertura bloqueada; manténgalo libre de polvo, pelusa, cabello y cualquier objeto que pueda reducir el flujo de aire.**
8. **Mantenga el cabello, la ropa holgada, los dedos y todas las partes del cuerpo lejos de las aberturas y piezas móviles.**
9. **Apague todos los controles antes de retirar el cartucho de batería.**
10. **Tenga especial cuidado cuando limpie en escaleras.**
11. **No lo utilice para recoger líquidos inflamables o combustibles, tal como gasolina, ni en áreas donde puedan estar presentes.**
12. **No recoja nada que se esté quemando o desprenda humo, tal como cigarros, fósforos o cenizas calientes.**
13. **No lo utilice sin la bolsa recolectora de polvo y/o los filtros colocados en su lugar.**
14. **No cargue la batería en exteriores.**
15. **Evite una puesta en marcha accidental. Asegúrese de que el interruptor esté en la posición apagada antes de conectar el paquete de baterías, levantar el aparato o cargarlo. Cargar el aparato con su dedo en el interruptor o pasar energía al aparato con el interruptor encendido pueden propiciar accidentes.**
16. **Desconecte el paquete de baterías del aparato antes de hacer cualquier ajuste, cambiar accesorios o almacenar el aparato. Estas medidas de seguridad preventivas reducen el riesgo de poner en marcha el aparato accidentalmente.**
17. **Recargue sólo con el cargador especificado por el fabricante. Un cargador que es adecuado para un solo tipo de paquete de baterías puede generar riesgo de incendio al ser utilizado con otro paquete de baterías.**
18. **Use los aparatos únicamente con los paquetes de baterías designados específicamente para ellos. El uso de otros paquetes de baterías puede generar riesgo de lesiones e incendio.**
19. **Cuando no se esté usando el paquete de baterías, guárdelo lejos de otros objetos metálicos tales como sujetapapeles (clips), monedas, llaves, clavos, tornillos u otros objetos metálicos pequeños que puedan crear una conexión entre una terminal y otra. Ocasionar un cortocircuito en las terminales de la batería puede provocar quemaduras o incendios.**
20. **En condiciones de mal uso, podría escapar líquido de la batería; evite tocarlo. Si lo toca accidentalmente, enjuague con agua. Si el líquido entra en contacto con los ojos, solicite adicionalmente atención médica. El líquido expulsado de la batería puede causar irritación o quemaduras.**
21. **No utilice un paquete de baterías o aparato que esté dañado o haya sido modificado. Las baterías dañadas o modificadas podrían comportarse de manera impredecible causando un incendio, explosión o riesgo de lesión.**
22. **No exponga un paquete de baterías o aparato al fuego o a una temperatura excesiva. La exposición al fuego a una temperatura superior a 130 °C podría causar una explosión.**
23. **Siga todas las instrucciones relativas a la carga y no cargue el paquete de baterías o el aparato fuera del rango de temperatura especificado en las instrucciones. Cargar de manera inapropiada o a temperaturas fuera del rango especificado podría dañar la batería e incrementar el riesgo de incendio.**

24. **Pida que el servicio lo realice un técnico en reparaciones calificado y que utilice únicamente piezas de repuesto idénticas a las originales.** Esto garantizará que se mantenga la seguridad del producto.
25. **No modifique ni intente reparar el aparato ni el paquete de baterías salvo como se indique en las instrucciones para el uso y cuidado.**

GUARDE ESTAS INSTRUCCIONES.

REGLAS DE SEGURIDAD ADICIONALES

Este aparato está diseñado para uso comercial.

1. **Lea cuidadosamente este manual de instrucciones y el manual de instrucciones del cargador antes de usar el aparato.**
2. **No aspire los siguientes elementos:**
 - Líquidos inflamables (queroseno, gasolina, disolventes como bencina, diluyentes, etc.)
 - Sustancias calientes que están ardiendo o echando humo (cigarrillos, cerillas, palitos de incienso, velas, cenizas calientes), chispas y polvo metálico generados por el corte o el lijado de metales, etc.
 - Materiales inflamables (tónor, pinturas, aerosoles, etc.)
 - Espumas, como limpiadores de alfombras, etc. (pueden causar explosiones o incendios)
 - Sustancias explosivas o pirofóricas (nitroglicerina, aluminio, magnesio, titanio, zinc, fósforo rojo, fósforo amarillo, celuloide, etc., y su polvo, gases o vapores)
 - Objetos afilados (cristal, cubiertos, astillas de madera, metales, piedras, clavos, cuchillas, tachuelas, etc.)

- Polvo fino conductor y solidificante (polvo metálico o de carbono)
- Deshumidificador
- Grandes cantidades de polvo (harina, polvo de extintor de incendios, etc.)
- Sustancias que causan síntomas tóxicos
- Productos químicos agresivos (ácidos, lixiviados, etc.)
- Basura líquida o húmeda, incluyendo vómitos y heces
- Asbesto
- Pesticidas

Tal acción podría ocasionar un incendio, lesiones y/o daños materiales.

Para reducir la exposición a estas sustancias químicas, utilice un equipo de protección respiratoria aprobado, tal como las máscaras contra polvo que están especialmente diseñadas para filtrar partículas microscópicas. No apunte la salida de aire a la cara y al cuerpo.


3. **Detenga la operación de inmediato si nota algo anormal.**
4. **Si deja caer o golpea la aspiradora, verifique cuidadosamente si hay grietas o daños antes de la operación.**
5. **No la acerque a estufas ni a otras fuentes de calor.**
6. **No obstruya el orificio de flujo de entrada ni los orificios de ventilación.**
7. **Este aparato no se destina para utilizarse por personas (incluyendo niños) cuyas capacidades físicas, sensoriales o mentales sean diferentes o estén reducidas o carezcan de experiencia o de conocimiento, a menos que dichas personas reciban una supervisión o capacitación para el funcionamiento del aparato por una persona responsable de su seguridad.**
8. **Los niños deben supervisarse para asegurar que ellos no empleen los aparatos como juguete.**

GUARDE ESTAS INSTRUCCIONES.

Símbolos

A continuación se muestran los símbolos utilizados para la herramienta.

v volts o voltios

 corriente directa o continua

Instrucciones importantes de seguridad para el cartucho de batería

1. Antes de utilizar el cartucho de batería, lea todas las instrucciones e indicaciones de precaución en el (1) el cargador de batería, (2) la batería, y (3) el producto con el que se utiliza la batería.
2. No desarme ni modifique el cartucho de batería. Podría ocurrir un incendio, calor excesivo o una explosión.
3. Si el tiempo de operación se ha acortado en exceso, deje de operar de inmediato. Podría correrse el riesgo de sobrecalentamiento, posibles quemaduras e incluso explosión.
4. En caso de que ingresen electrolitos en sus ojos, enjuáguelos bien con agua limpia y consulte de inmediato a un médico. Esto podría ocasionar pérdida de visión.
5. Evite cortocircuitar el cartucho de batería:
 - (1) No toque las terminales con ningún material conductor.
 - (2) Evite guardar el cartucho de batería en un cajón junto con otros objetos metálicos, tales como clavos, monedas, etc.
 - (3) No exponga el cartucho de batería al agua o la lluvia.Un cortocircuito en la batería puede causar un flujo grande de corriente, sobrecalentamiento, posibles quemaduras e incluso una descompostura.
6. No guarde ni utilice la herramienta y el cartucho de batería en lugares donde la temperatura pueda alcanzar o exceder los 50 °C (122 °F).
7. Nunca incinere el cartucho de batería incluso en el caso de que esté dañado seriamente o ya no sirva en absoluto. El cartucho de batería puede explotar si se tira al fuego.
8. No clave, corte, aplaste, lance o deje caer el cartucho de batería, ni golpee un objeto sólido contra el cartucho de batería. Dicha acción podría resultar en un incendio, calor excesivo o en una explosión.
9. No use una batería dañada.
10. Las baterías de ión de litio están sujetas a los requisitos reglamentarios en materia de bienes peligrosos. Para el transporte comercial, por ej., mediante terceros o agentes de transporte, se deben tomar en cuenta los requisitos especiales relativos al empaque y el etiquetado. Para efectuar los preparativos del artículo que se va a enviar, se requiere consultar a un experto en materiales peligrosos. Si es posible, consulte además otras regulaciones nacionales más detalladas. Pegue o cubra con cinta adhesiva los contactos abiertos y empaque la batería de manera que ésta no pueda moverse dentro del paquete.
11. Para deshacerse del cartucho de batería, sáquelo de la herramienta y deséchelo en un lugar seguro. Siga las regulaciones locales relacionadas al desecho de las baterías.
12. Utilice las baterías únicamente con los productos especificados por Makita. Instalar las baterías en productos que no cumplen con los requisitos podría ocasionar un incendio, un calentamiento excesivo, una explosión o una fuga de electrolito.
13. Siga las regulaciones locales relacionadas al desecho de las baterías.
14. El cartucho de batería podría absorber calor durante y después de su uso, lo que ocasionaría quemaduras o quemaduras a baja temperatura. Tenga cuidado con la manipulación de los cartuchos de batería que estén calientes.

15. **No toque el terminal de la herramienta inmediatamente después de su uso, ya que el mismo podría estar lo suficientemente caliente como para provocarle quemaduras.**
16. **No permita que las rebabas, el polvo o la tierra queden atrapados en los terminales, orificios y ranuras del cartucho de batería.** Podría provocar calentamiento, incendio, explosión y mal funcionamiento de la herramienta o del cartucho de batería, lo que resultaría en quemaduras o lesiones personales.
17. **No utilice el cartucho de batería cerca de cables eléctricos de alto voltaje, a menos que la herramienta sea compatible con el uso cercano a estos cables eléctricos de alto voltaje.** Esto podría ocasionar una avería o descompostura de la herramienta o del cartucho de batería.
18. **Mantenga la batería alejada de los niños.**

GUARDE ESTAS INSTRUCCIONES.

⚠PRECAUCIÓN: Utilice únicamente baterías originales de Makita. El uso de baterías no originales de Makita, o de baterías alteradas, puede ocasionar que las baterías exploten causando un incendio, lesiones personales y daños. Asimismo, esto invalidará la garantía de Makita para la herramienta y el cargador Makita.

Consejos para alargar al máximo la vida útil de la batería

1. **Cargue el cartucho de batería antes de que se descargue completamente. Pare siempre la operación y cargue el cartucho de batería cuando note menos potencia en la herramienta.**
2. **No cargue nunca un cartucho de batería que esté completamente cargado. La sobrecarga acortará la vida de servicio de la batería.**
3. **Cargue el cartucho de batería a una temperatura ambiente de 10 °C - 40 °C (50 °F - 104 °F).** Si un cartucho de batería está caliente, déjelo enfriar antes de cargarlo.
4. **Cuando no utilice el cartucho de batería, sáquelo de la herramienta o del cargador.**
5. **Cargue el cartucho de batería si no va a utilizarlo durante un período prolongado (más de seis meses).**

DESCRIPCIÓN DEL FUNCIONAMIENTO

⚠PRECAUCIÓN: Asegúrese siempre de que la herramienta esté apagada y el cartucho de batería haya sido extraído antes de realizar cualquier ajuste o comprobación en la herramienta.

⚠PRECAUCIÓN: Tenga cuidado de que su(s) dedo(s) no quede(n) atrapado(s) entre la aspiradora y la batería, al momento de colocar la batería. Si su(s) dedo(s) quedara(n) atrapado(s) podría(n) resultar lesionado(s).

Instalación o extracción del cartucho de batería

⚠PRECAUCIÓN: Apague siempre la herramienta antes de colocar o quitar el cartucho de batería.

⚠PRECAUCIÓN: Sujete la herramienta y el cartucho de la batería con firmeza al colocar o quitar el cartucho de batería. Si no se sujeta con firmeza la herramienta y el cartucho de batería, puede ocasionar que se resbalen de sus manos causando daños a la herramienta y al cartucho de batería, así como lesiones a la persona.

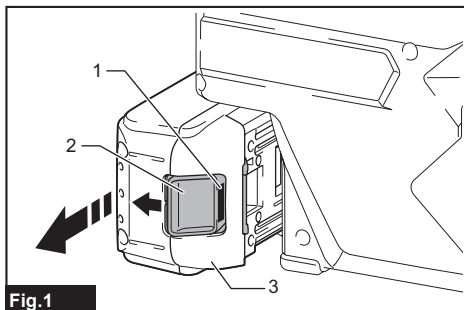


Fig.1

► 1. Indicador rojo 2. Botón 3. Cartucho de batería

Para quitar el cartucho de batería, deslícelo de la herramienta mientras desliza el botón sobre la parte delantera del cartucho.

Para instalar el cartucho de batería, alinee la lengüeta sobre el cartucho de batería con la ranura en la carcasa y deslícela hasta su lugar. Insértelo por completo hasta que se fije en su lugar con un pequeño clic. Si puede ver el indicador rojo como se muestra en la ilustración, este no ha quedado asegurado por completo.

⚠PRECAUCIÓN: Introduzca siempre completamente el cartucho de batería hasta que el indicador rojo no pueda verse. Si no, podría accidentalmente salirse de la herramienta y caer al suelo causando una lesión a usted o alguien a su alrededor.

⚠PRECAUCIÓN: No instale el cartucho de batería a la fuerza. Si el cartucho no se desliza al interior fácilmente, se debe a que no está siendo insertado correctamente.

Sistema de protección de la herramienta / batería

La herramienta está equipada con un sistema de protección de la herramienta / batería. Este sistema corta en forma automática el suministro de energía al motor para prolongar la vida útil de la herramienta y batería. La herramienta se detendrá automáticamente durante la operación si la herramienta o la batería se someten a una de las siguientes condiciones. En algunas condiciones, la luz indicadora se enciende.

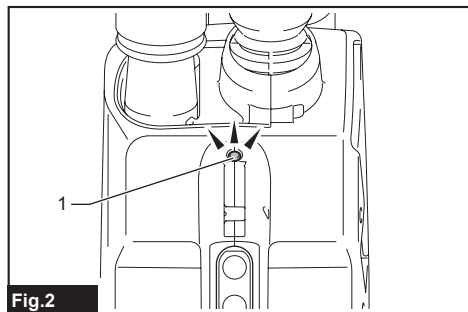


Fig.2

► 1. Luz indicadora

Protección contra sobrecarga

Cuando la herramienta está siendo operada de manera que ocasiona el consumo de una cantidad de corriente inusualmente alta, la herramienta se detendrá automáticamente y la luz indicadora se iluminará por alrededor de 60 segundos. En esta situación, apague la herramienta y detenga la aplicación que haya causado que la herramienta se sobrecargara. Luego encienda la herramienta para volver a arrancarla.

Protección contra sobrecalentamiento

Cuando la herramienta/batería se sobrecalienten, la herramienta se detendrá automáticamente y el indicador de batería se encenderá alrededor de 60 segundos. La herramienta no arranca aunque la encienda. En este caso, permita que la batería se enfríe antes de volver a encender la herramienta.

Protección contra la sobredescarga

Cuando la capacidad restante de la batería esté baja, el indicador comenzará a parpadear. Si se utiliza aún más, la herramienta se detendrá y el indicador se encenderá alrededor de 60 segundos. Si enciende la herramienta, el motor volverá a funcionar pero se detendrá al poco tiempo. En esta situación, cargue el cartucho de batería.

NOTA: El momento en el que la lámpara se encienda dependerá de la temperatura en el lugar de trabajo y de las condiciones del cartucho de batería.

Indicación de la capacidad restante de la batería

Únicamente para cartuchos de batería con el indicador

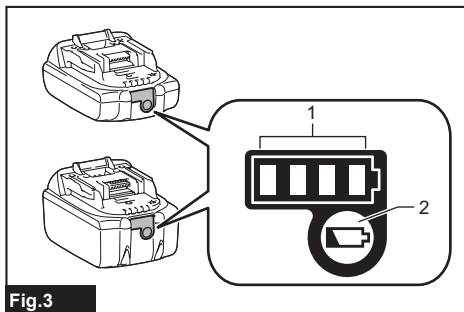


Fig.3

► 1. Luces indicadoras 2. Botón de verificación

Oprima el botón de verificación en el cartucho de la batería para que indique la capacidad restante de la batería. Las luces indicadoras se iluminarán por algunos segundos.

Luces indicadoras			Capacidad restante
Iluminadas	Apagadas	Parpadeando	
■ ■ ■ ■			75% a 100%
■ ■ ■ □			50% a 75%
■ ■ □ □			25% a 50%
■ □ □ □			0% a 25%
▬ □ □ □			Cargar la batería.
■ ■ □ □			La batería pudo haber funcionado mal.
□ □ ■ ■		↑ ↓	

NOTA: Dependiendo de las condiciones de uso y la temperatura ambiente, la indicación podrá diferir ligeramente de la capacidad real.

NOTA: La primera luz indicadora (extrema izquierda) parpadeará cuando el sistema de protección de batería esté en funcionamiento.

Accionamiento del interruptor

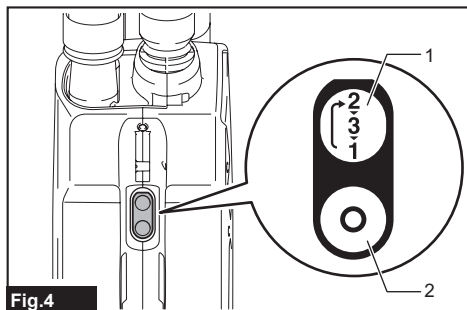


Fig.4

- ▶ 1. Botón de encendido/cambio de velocidad
- 2. Botón de apagado

Para poner en marcha la aspiradora, simplemente oprima el botón de encendido/cambio de velocidad. Para apagarla, oprima el botón de apagado. Puede cambiar la velocidad de la aspiradora en tres pasos oprimiendo el botón de encendido/cambio de velocidad.

Si oprime el botón una vez elegirá el modo velocidad alta, si lo oprime dos veces elegirá el modo velocidad máx. y si lo oprime tres veces elegirá la velocidad normal. Cada vez que oprima este botón se repetirá el ciclo de velocidad alta/máx./normal de manera alternativa.

MONTAJE

⚠PRECAUCIÓN: Asegúrese siempre de que la herramienta esté apagada y el cartucho de batería haya sido extraído antes de realizar cualquier trabajo en la misma.

Bolsa recolectora de polvo y filtro de papel

Instale ya sea una bolsa recolectora de polvo o un filtro de papel antes de utilizar la aspiradora.

Utilice el tope para el polvo cuando instale la bolsa recolectora de polvo o el filtro de papel.

La bolsa recolectora de polvo se puede utilizar varias veces, de manera repetida, si ésta se limpia.

El filtro de papel es de tipo desechable. Deseche por completo el filtro de papel, sin vaciarlo, cuando éste se haya llenado.

AVISO: Para evitar que el polvo se introduzca en el motor:

- Asegúrese de instalar la bolsa recolectora de polvo o el filtro de papel antes de utilizar la aspiradora.
- Instale de manera conjunta el tope para el polvo y la bolsa recolectora de polvo o el filtro de papel e insérteles por completo en las ranuras.
- No utilice una bolsa rota o rasgada.

De lo contrario, el motor podría averiarse.

AVISO: No doble el cartón en su abertura cuando instale el filtro de papel.

AVISO: Nunca deseche el tope para el polvo ya que éste deberá utilizarse repetidamente cuando se utilice ya sea la bolsa recolectora de polvo o el filtro de papel.

AVISO: El filtro de papel de la aspiradora es un componente importante para mantener el buen desempeño de la herramienta. El utilizar un filtro de papel no original puede ocasionar humo o ignición.

Instalación de la bolsa recolectora de polvo

Utilice el tope para el polvo cuando instale la bolsa recolectora de polvo. Tenga cuidado de no confundir por error el lado superior con el lado inferior ya que éstos son diferentes.

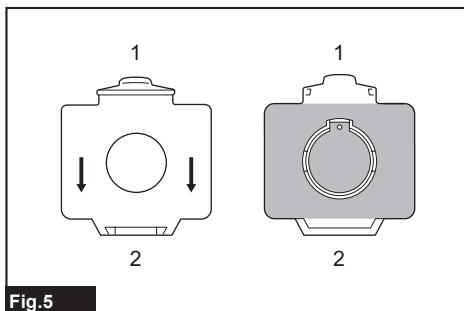


Fig.5

- ▶ 1. Lado superior del tope para el polvo 2. Lado inferior del tope para el polvo

1. Inserte la parte saliente de la bolsa recolectora de polvo dentro de la ranura del tope para el polvo tal como se muestra en la figura.

La bolsa recolectora de polvo no se distingue entre los lados superior e inferior. Puede insertar su parte saliente de cualquier lado dentro de la ranura del tope para el polvo.

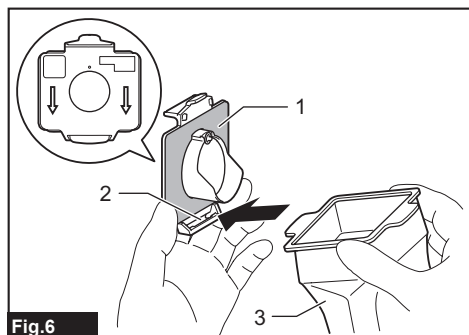


Fig. 6

► 1. Tope para el polvo 2. Ranura 3. Bolsa recolectora de polvo

2. Sobreponga el marco del tope para el polvo con el de la bolsa recolectora de polvo.

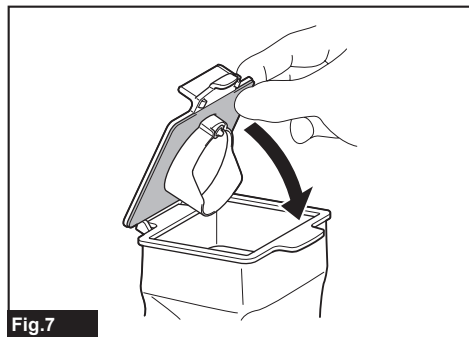


Fig. 7

3. Coloque el tope para el polvo y la bolsa recolectora de polvo de manera conjunta en la cavidad de la aspiradora, en la misma dirección de la flecha en el tope para el polvo. Insértelos por completo en las ranuras de la cavidad de la aspiradora.

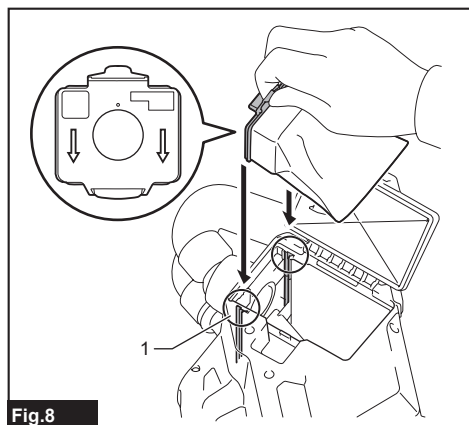


Fig. 8

► 1. Ranura

4. Coloque toda la parte de tela de la bolsa recolectora de polvo en el interior de la misma aspiradora.

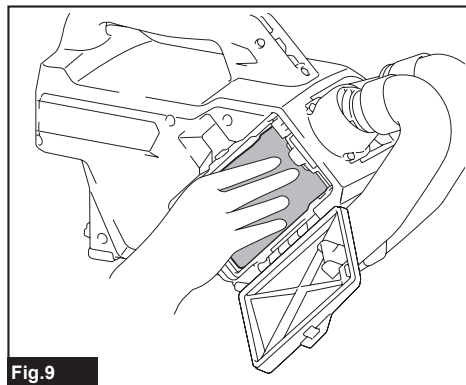


Fig. 9

5. Cierre la cubierta de la caja para polvo por completo.

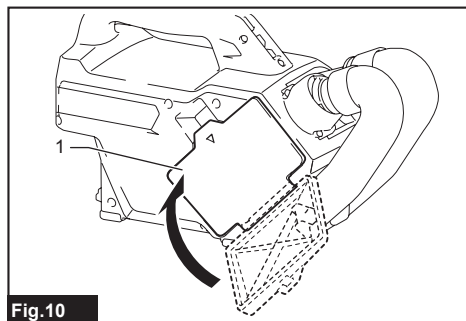


Fig. 10

► 1. Cubierta de la caja para polvo

NOTA: Cuando la bolsa recolectora de polvo no se instala en la aspiradora, la cubierta de la caja para polvo no se cierra por completo.

Instalación del filtro de papel

Utilice también el tope para el polvo cuando instale el filtro de papel. Tenga cuidado de no confundir por error el lado superior con el lado inferior ya que éstos son diferentes.

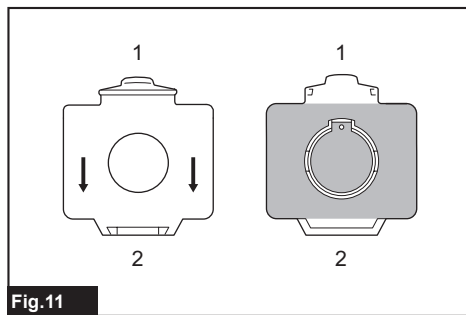
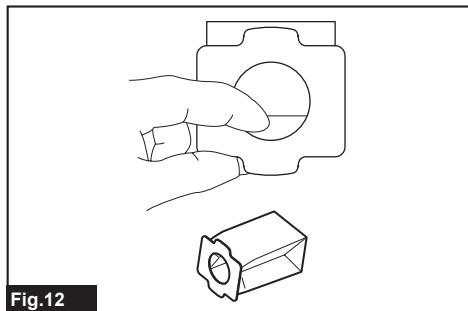


Fig. 11

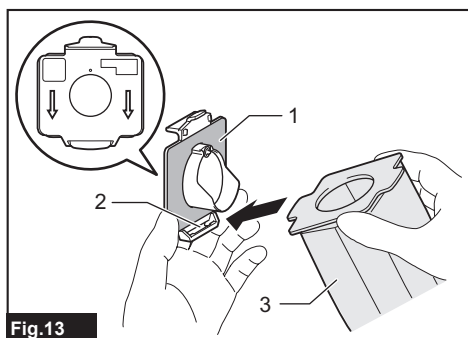
► 1. Lado superior del tope para el polvo 2. Lado inferior del tope para el polvo

1. Desdoble la entrada del filtro de papel antes de colocarlo en el tope para el polvo.



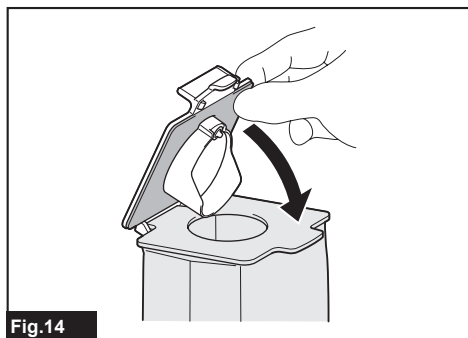
2. Inserte la parte saliente del filtro de papel en la ranura sobre el tope para el polvo, tal como se muestra en la figura.

El filtro de papel no se distingue entre los lados superior e inferior. Puede insertar su parte saliente de cualquier lado dentro de la ranura del tope para el polvo.

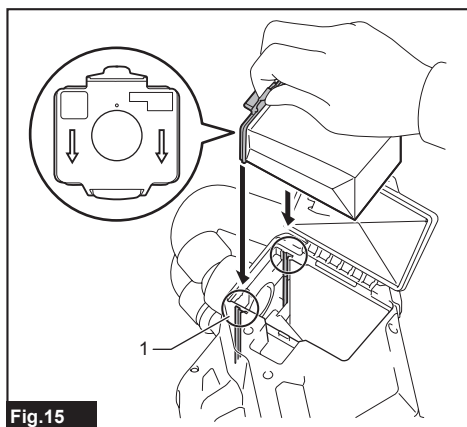


- 1. Tope para el polvo 2. Ranura 3. Filtro de papel

3. Sobreponga el marco del tope para el polvo con el del filtro de papel.

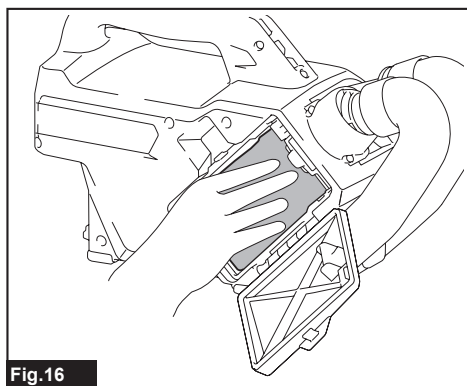


4. Coloque el tope para el polvo y el filtro de papel de manera conjunta en la cavidad de la aspiradora, en la misma dirección de la flecha en el tope para el polvo. Insérteles por completo en las ranuras de la cavidad de la aspiradora.

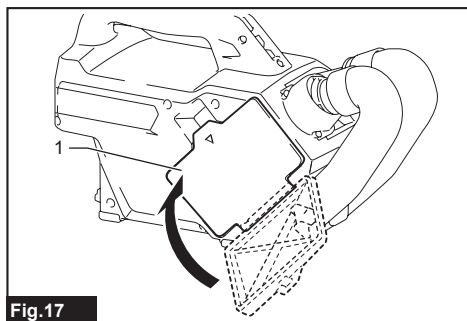


- 1. Ranura

5. Coloque toda la parte del contenedor del filtro de papel en el interior de la misma herramienta.



6. Cierre la cubierta de la caja para polvo por completo.



- 1. Cubierta de la caja para polvo

NOTA: Cuando el filtro de papel no se instala en la aspiradora, la cubierta de la caja para polvo no se cierra por completo.

Instalación de la correa para hombro

⚠PRECAUCIÓN: Tenga cuidado de que la correa para hombro no quede atrapada en objetos en sus alrededores.

⚠PRECAUCIÓN: Tenga cuidado de que la correa para hombro no se resbale de su hombro cuando use la aspiradora. Se recomienda colocar la correa para hombro atravesada frente a su pecho para manejar la aspiradora de manera estable.

Coloque los ganchos de la correa para hombro en los soportes de la aspiradora tal y como se ilustra en la figura.

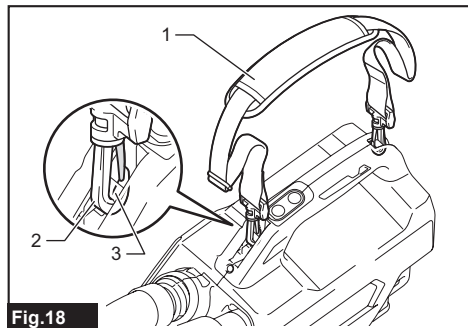


Fig.18

► 1. Correa para hombro 2. Gancho 3. Soporte

NOTA: También puede colocar la correa para hombro en la bolsa flexible (accesorio opcional), como se muestra en la ilustración.

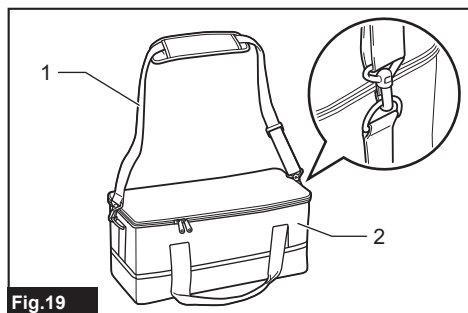


Fig.19

► 1. Correa para hombro 2. Bolsa flexible

OPERACIÓN

⚠PRECAUCIÓN: Siempre sostenga el mango cuando transporte la aspiradora. Si sostiene la parte de aditamento durante el transporte, podría desprenderse de la aspiradora y ocasionar lesiones personales.

⚠PRECAUCIÓN: No utilice el aparato mientras maneja un automóvil o el motor esté en marcha.

⚠PRECAUCIÓN: No sujete la junta para manguera como se muestra en la ilustración. Sujetar la junta para manguera podría ocasionar que su dedo quede atrapado.

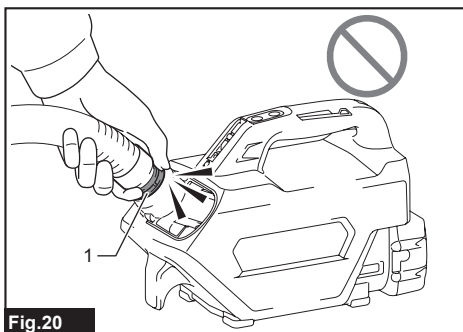


Fig.20

► 1. Junta para manguera

Uso como aspiradora

NOTA: Retire el aditamento para soplador antes de aspirar. Si el aditamento para soplador está conectado a la aspiradora, es posible que la potencia de succión disminuya.

Instalación o desinstalación del aditamento para aspiradora

Para conectar un aditamento, tal como la boquilla, enrosque e insértelo firmemente a la manguera. Para desconectarlo, retírelo girándolo.

La manera de instalación varía dependiendo de las boquillas, tal como se ilustra.

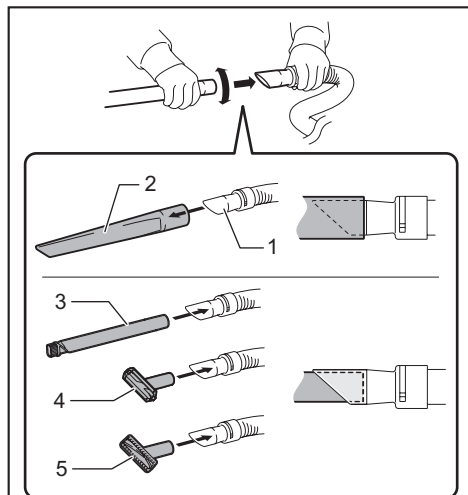


Fig.21

- 1. Manguera 2. Boquilla de caucho 3. Cepillo suave
- 4. Boquilla para asientos 5. Boquilla para tapete

Aspirado

Boquilla de caucho

Esta boquilla resulta conveniente para aspirar esquinas inferiores, como las de la cavidad de una puerta. La boquilla de caucho no maltrata la superficie a ser limpiada.

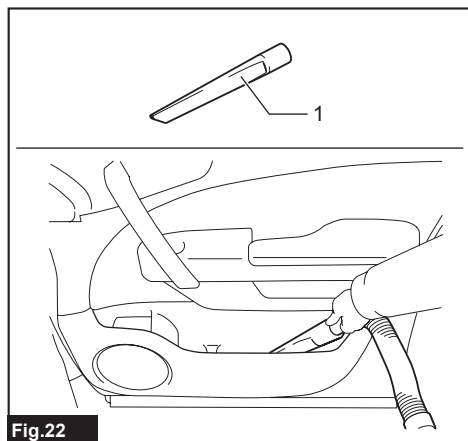


Fig.22

- 1. Boquilla de caucho

Cepillo suave

Esta boquilla resulta conveniente para limpiar las aberturas de ventilación del aire acondicionado, del tablero de instrumentos, etc. La cabeza del cepillo suave puede girarse al ángulo recto.

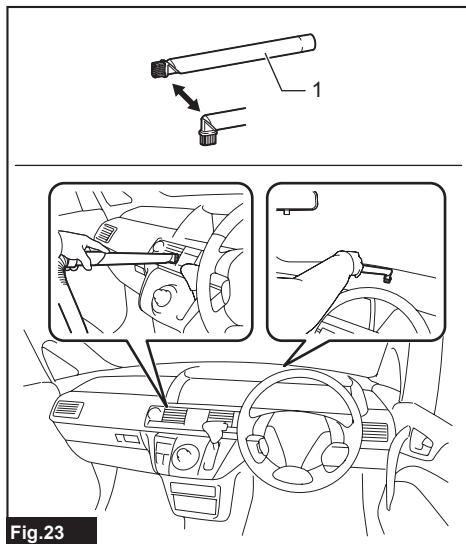


Fig.23

- 1. Cepillo suave

Boquilla para asientos

Esta boquilla tiene un cepillo para pelusa para limpiar la superficie del asiento. El cepillo lateral en la boquilla es útil para barrer el polvo de las costuras.

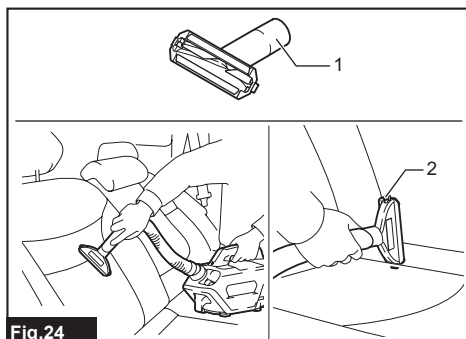


Fig.24

- 1. Boquilla para asientos 2. Cepillo lateral

Boquilla para tapete

Esta boquilla se utiliza para limpiar el tapete del piso y la alfombrilla. Los dientes en la boquilla ayudan a sacar las partículas de arena.

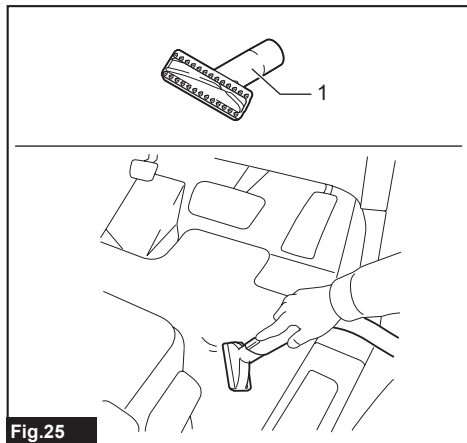


Fig.25

- 1. Boquilla para tapete

AVISO: Utilice siempre la boquilla para tapete para limpiar un tapete. El utilizar la boquilla para tapete para otros materiales podría rayar la superficie de estos.

Aspirado sin boquilla

Usted puede realizar el aspirado sin necesidad de la boquilla.

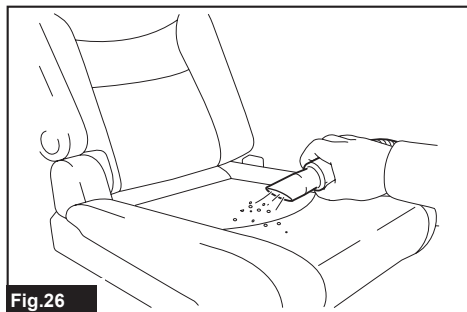


Fig.26

Eliminación del polvo

PRECAUCIÓN: Vacíe la bolsa recolectora de polvo o reemplace el filtro de papel antes de que se llene. De lo contrario, la fuerza de succión y soplado disminuirá.

PRECAUCIÓN: Cuando cierre la cubierta de la caja para polvo, tenga cuidado de no pellizcar sus dedos.

AVISO: Nunca deseche el tope para el polvo ya que éste deberá utilizarse cuando la bolsa recolectora de polvo o el filtro de papel sean utilizados.

AVISO: Cuando la bolsa recolectora de polvo/ el filtro de papel no está dentro de la aspiradora, la cubierta de la caja para polvo no se cierra por completo. No fuerce la cubierta de la caja para polvo para cerrarla. Esto podría deformar o romper la herramienta.

AVISO: Cuando se deshaga del polvo, limpie de igual forma el compartimento para la bolsa recolectora de polvo/filtro de papel. Si queda polvo y suciedad en dicho compartimento, el filtro de esponja podría obstruirse o el motor podría dañarse.

1. Abra la cubierta de la caja para polvo.

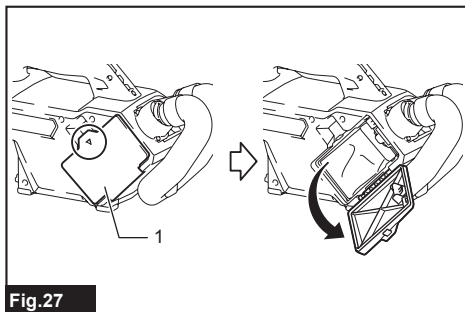


Fig.27

- 1. Cubierta de la caja para polvo

2. Extraiga el tope para el polvo de color naranja y la bolsa recolectora de polvo/filtro de papel de manera conjunta y al mismo tiempo.

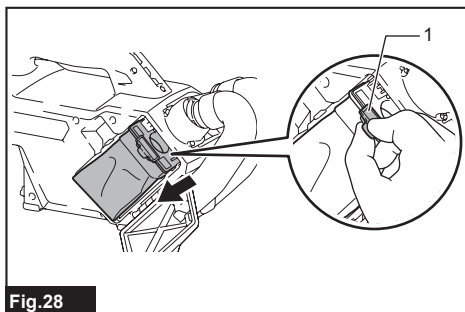


Fig.28

- 1. Tope para el polvo

3. Cuando utilice la bolsa recolectora de polvo

Retire el tope para el polvo y vacíe la bolsa recolectora de polvo.

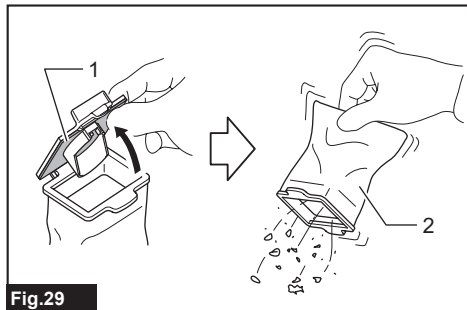


Fig.29

► 1. Tope para el polvo 2. Bolsa recolectora de polvo

Cuando utilice el filtro de papel

Retire el tope para el polvo y deshágase del filtro de papel.

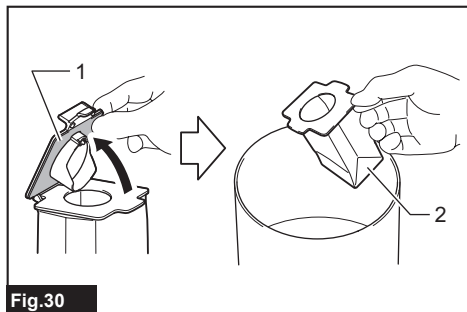


Fig.30

► 1. Tope para el polvo 2. Filtro de papel

4. Coloque la bolsa recolectora de polvo/filtro de papel nuevo y el tope para el polvo de manera conjunta en la aspiradora, y cierre la cubierta de la caja para polvo.

Uso como soplador

⚠PRECAUCIÓN: No apunte nunca la boquilla a nadie alrededor.

⚠PRECAUCIÓN: Para evitar la inhalación de polvo, se recomienda abrir las ventanas y también usar gafas protectoras y mascarilla durante la operación.

⚠PRECAUCIÓN: No jale el aditamento para soplador. Podría desprenderse de la aspiradora.

⚠PRECAUCIÓN: No utilice la aspiradora para inflar objetos, tales como balsas neumáticas, pelotas y otros objetos inflables. Un aumento en las revoluciones del motor podría ocasionar una peligrosa rotura del ventilador.

⚠PRECAUCIÓN: Nunca bloquee la entrada de succión o la salida de la sopladora. Tenga cuidado de no bloquear la entrada de succión o la salida de la sopladora con polvo o suciedad al operar en áreas con polvo.

⚠PRECAUCIÓN: No use boquillas que no sean las proporcionadas por Makita.

Instalación o desinstalación del aditamento para soplador

Para colocar el aditamento para soplador, alinee la parte saliente del puerto del aditamento para soplador con la ranura de la abertura de ventilación, luego empújela hasta que haga clic.

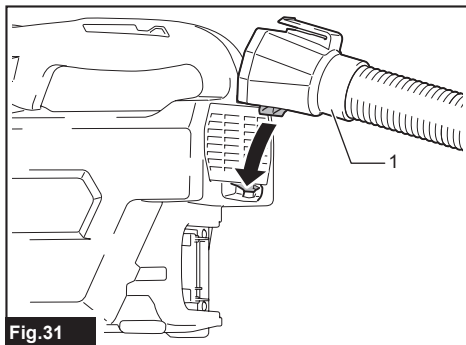


Fig.31

► 1. Aditamento para soplador

Para extraer el aditamento para soplador, jale el puerto hacia abajo mientras oprime la parte superior, tal como se ilustra.

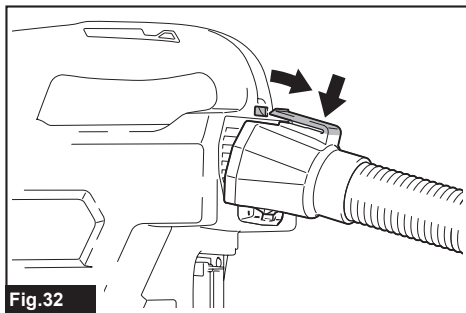


Fig.32

Soplado

Dirija la punta del aditamento para soplador hacia el objeto que desea soplar y encienda la herramienta.

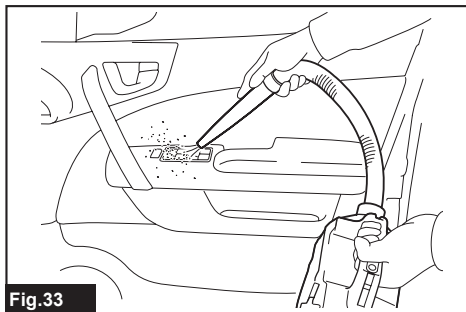


Fig.33

MANTENIMIENTO

⚠PRECAUCIÓN: Asegúrese siempre de que la herramienta esté apagada y el cartucho de batería extraído antes de intentar realizar una inspección o mantenimiento.

AVISO: Nunca use gasolina, bencina, diluyente (tiner), alcohol o sustancias similares. Puede que esto ocasione grietas o descoloramiento.

Para mantener la SEGURIDAD y FIABILIDAD del producto, las reparaciones, y cualquier otra tarea de mantenimiento o ajuste deberán ser realizadas en centros de servicio autorizados o de fábrica Makita, empleando siempre repuestos Makita.

Limpieza

De vez en cuando, limpie el exterior (cuerpo) de la aspiradora usando un paño húmedo y agua enjabonada. Asimismo, limpie la abertura de succión, el área donde va colocada la bolsa recolectora de polvo/filtro de papel y el tope para el polvo.

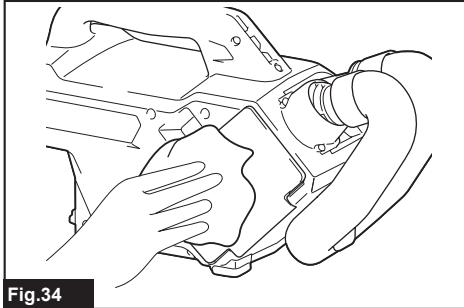


Fig.34

Lave la bolsa recolectora de polvo en agua enjabonada cuando ésta se haya tapado con el polvo y disminuya la potencia de la aspiradora. Déjelo secar por completo antes de usarlo. Un filtro que no esté completamente seco podría ocasionar una succión deficiente y acortar la vida útil del motor.

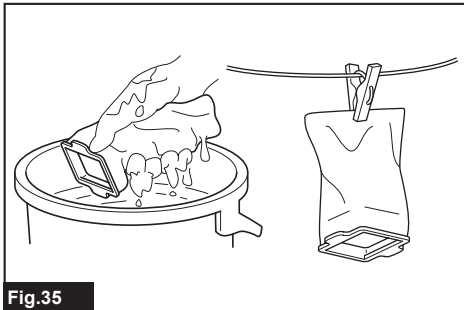


Fig.35

NOTA: El filtro de papel es de tipo desechable.

Cuando el filtro de esponja se haya tapado con polvo, retírelo de la aspiradora y luego límpielo o lávelo con agua.

Extracción e instalación del filtro de esponja

⚠PRECAUCIÓN: Después de limpiar el filtro de esponja, asegúrese de instalarlo en la aspiradora. Si éste fue lavado con agua, séquelo antes de instalarlo. Un filtro de esponja que no esté completamente seco podría acortar la vida útil del motor.

Para extraer el filtro de esponja, retire la bolsa recolectora de polvo o el filtro de papel y luego pellizquelo para retirarlo.

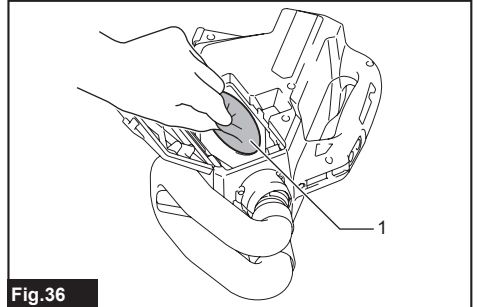


Fig.36

► 1. Filtro de esponja

Presione todo el borde del filtro de esponja contra la pared hueca en el interior del área donde va colocada la bolsa recolectora de polvo/filtro de papel.

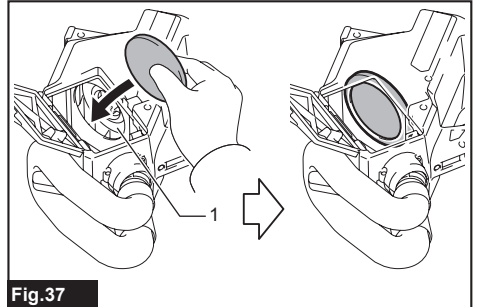


Fig.37

► 1. Pared hueca

Almacenamiento

⚠ADVERTENCIA: Nunca deje el cartucho de batería y el cargador dentro de un vehículo. La temperatura dentro de un vehículo expuesto al sol puede superar los 50 °C (122 °F). Puede hacer que el cartucho de batería se deteriore y expulse líquido, desprenda humo o se incendie.

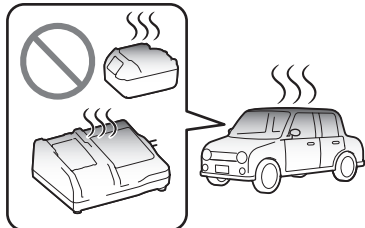


Fig.38

⚠ADVERTENCIA: Nunca use el cargador mientras está guardado en la bolsa para almacenamiento. Bloquear la abertura de ventilación de aire podría resultar en el desprendimiento de humo o en un incendio.

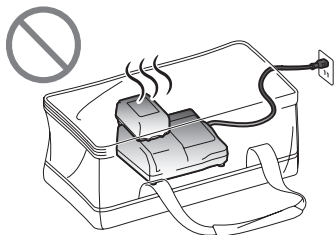


Fig.39

⚠ADVERTENCIA: Nunca cargue el cartucho de batería con un inversor de corriente para vehículo. Esto podría causar un calor inusitado y resultar en un incendio.

⚠ADVERTENCIA: Nunca cargue el cartucho de batería dentro de un vehículo. Si el cartucho de batería queda expuesto a un rango de temperaturas fuera de los 10 °C (50 °F) a 40 °C (104 °F), esto podría generar calor y/o un incendio, o explotar.

⚠PRECAUCIÓN: Siempre almacene la manguera como se ilustra para evitar tropiezos cuando no utilice la aspiradora. Si la manguera no está guardada, su pie podría quedar atrapado en esta y ocasionar lesiones personales.

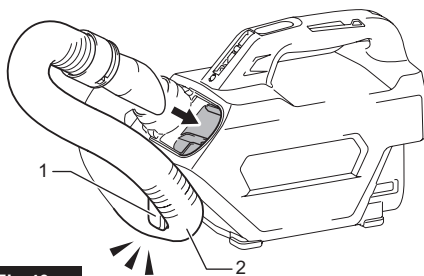


Fig.40

► 1. Gancho 2. Manguera

Detección y solución de problemas

Antes de solicitar una reparación, verifique los siguientes puntos.

Síntoma	Área a ser investigada	Método de solución
Potencia de succión deficiente	¿La bolsa recolectora de polvo o el filtro de papel están llenos de polvo?	Vacíe la bolsa recolectora de polvo o el filtro de papel.
	¿La bolsa recolectora de polvo está tapada?	Sacuda el polvo o lave la bolsa recolectora de polvo.
	¿El filtro de papel está tapado?	Reemplace el filtro de papel.
	¿El cartucho de batería se ha descargado?	Cargue el cartucho de batería.
No funciona	¿El cartucho de batería se ha descargado?	Cargue el cartucho de batería.
La cubierta de la caja para polvo no cierra	¿La bolsa recolectora de polvo o el filtro de papel están colocados en su lugar?	Coloque la bolsa recolectora de polvo o el filtro de papel.

AVISO: No intente reparar la aspiradora por su cuenta.

ACCESORIOS OPCIONALES

⚠️ PRECAUCIÓN: Estos accesorios o aditamentos están recomendados para utilizarse con su herramienta Makita especificada en este manual.

El empleo de cualquier otro accesorio o aditamento puede conllevar el riesgo de lesiones personales.

Utilice los accesorios o aditamentos solamente para su fin establecido.

Si necesita cualquier ayuda para más detalles en relación con estos accesorios, pregunte a su centro de servicio local Makita.

- Tubo de extensión (tubo recto)
- Boquilla
- Boquilla para alfombra
- Cepillo para estantes
- Boquilla para esquinas
- Cepillo redondo
- Manguera flexible
- Filtro de papel
- Boquilla amplia
- Boquilla para asientos
- Boquilla para huecos
- Colector ciclónico
- Bolsa recolectora de polvo
- Bolsa recolectora de polvo de alto desempeño
- Bolsa flexible
- Batería y cargador originales de Makita

NOTA: Algunos de los artículos en la lista pueden incluirse en el paquete de la herramienta como accesorios estándar. Éstos pueden variar de país a país.

GARANTÍA LIMITADA DE MAKITA

Ésta Garantía no aplica para México

Consulte la hoja de la garantía anexa para ver los términos más vigentes de la garantía aplicable a este producto. En caso de no disponer de esta hoja de garantía anexa, consulte los detalles sobre la garantía descritos en el sitio web de su país respectivo indicado a continuación.

Estados Unidos de América: www.makitatools.com

Canadá: www.makita.ca

Otros países: www.makita.com

< USA only >

WARNING

Some dust created by power sanding, sawing, grinding, drilling, and other construction activities contains chemicals known to the State of California to cause cancer, birth defects or other reproductive harm. Some examples of these chemicals are:

- lead from lead-based paints,
- crystalline silica from bricks and cement and other masonry products, and
- arsenic and chromium from chemically-treated lumber.

Your risk from these exposures varies, depending on how often you do this type of work. To reduce your exposure to these chemicals: work in a well ventilated area, and work with approved safety equipment, such as those dust masks that are specially designed to filter out microscopic particles.

< Sólo en los Estados Unidos >

ADVERTENCIA

Algunos polvos creados por el lijado, aserrado, esmerilado, taladrado y otras actividades de la construcción contienen sustancias químicas reconocidas por el Estado de California como causantes de cáncer, defectos de nacimiento y otros peligros de reproducción. Algunos ejemplos de estos productos químicos son:

- plomo de pinturas a base de plomo,
- sílice cristalino de ladrillos y cemento y otros productos de albañilería, y
- arsénico y cromo de maderas tratadas químicamente.

El riesgo al que se expone varía, dependiendo de la frecuencia con la que realice este tipo de trabajo. Para reducir la exposición a estos productos químicos: trabaje en un área bien ventilada y póngase el equipo de seguridad indicado, tal como las máscaras contra polvo que están especialmente diseñadas para filtrar partículas microscópicas.

Makita Corporation

3-11-8, Sumiyoshi-cho,
Anjo, Aichi 446-8502 Japan

www.makita.com

885803B936
DCL184-2
EN, FRCA, ESMX
20221012